

PERI UP Rosett Flex

The modular system scaffolding
flexible – safe – fast



Contents

	Quickly erected and safe working areas
2	PERI UP fulfils the requirements of the industry
	Modular scaffold with new flexibility
4	Uniform grid dimensions for maximum adjustment
	PERI UP Rosett – a strong node connection
6	High load-bearing capacity through high rigidity
	Ledger with “Gravity Lock”
8	Fast, simple and safe
	Ledgers for all tasks
10	As guardrail or ledger for material storage
	Optimized safety and cost-effectiveness
12	Scaffold decking with grid system
	Fast assembly of platforms
14	Decking installed in “almost any position”
	Safety measures recognizable from afar
16	Toe board painted in signal colour
	Small additional components with big effects
18	PERI connections ensure flexibility
	Ledger to ledger coupler makes scaffolding easier
20	Circular container with continuous side protection
	Widening platforms with new possibilities
22	Rosetts at the ends of brackets
	Access up to 90 m high
24	Lightweight stair towers for fast assembly
	Site stairs with easily mountable steps
26	Convenient access even with tools
28	Programme overview
44	PERI International

Quickly erected and safe working areas

PERI UP fulfils the requirements of the industry

For use in industry, a scaffolding system must be extremely flexible. At the same time, all working areas which have been erected must fulfil the highest safety requirements and naturally must be assembled very quickly.

In order to fully meet these three important requirements, the proven PERI UP Rosett modular scaffolding was supplemented with new components. The result is a flexible system scaffold which leaves almost nothing to be desired for scaffolders.

PERI UP Rosett Flex provides:

- Optimal adaptability
- High level of working safety
- Fast assembly



Through the adaptability of the system scaffold, complicated scaffolding assignments are also quickly realized.





Areas for installation and maintenance work are quickly assembled with PERI UP. Decking is only installed in those places where it is actually required.



End-to-end guardrails and toe boards provide high levels of working safety throughout.

Modular scaffold with new flexibility

Uniform grid dimensions for maximum adjustment

The main components of the modular scaffold, such as standards, ledgers and decking, have a uniform length and width grid dimension of 25 or 50 cm.

This allows almost any adjustments to be made to suit site conditions which has only been possible up to now with tube and couplers.

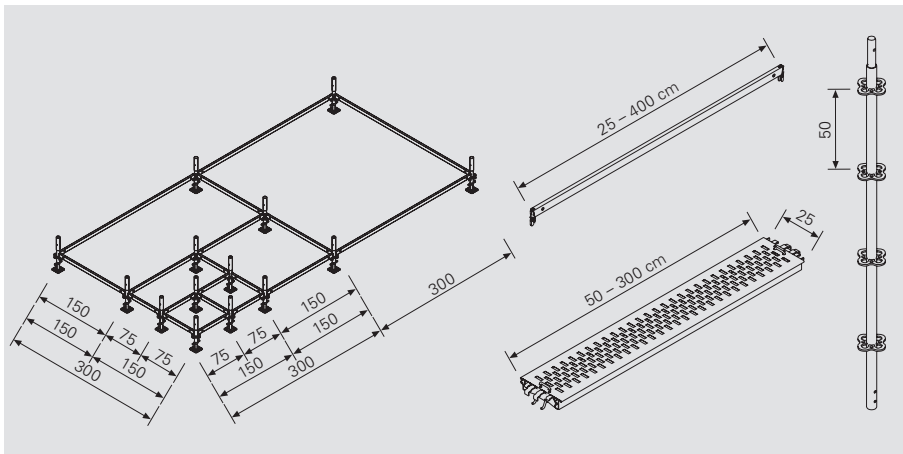
Toe boards with lengths cut according to grid dimensions, border the inner and outer edges of all decking.

Lattice girders and decks are available in different lengths. This means that optimal adjustment to the geometry is possible as well as to the permissible load.



PERI UP Rosett Flex offers:

- System dimensions of 25 and 50 cm
- Metric grid dimensions for optimal adaptability





Openings and pipe penetrations are circumvented with system decking, guardrails and toe boards.



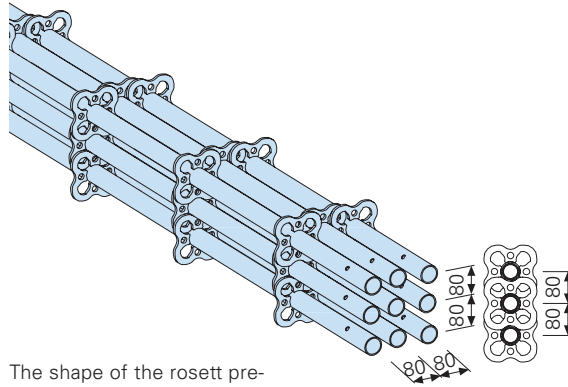
PERI UP Rosett – a strong node connection

High load-bearing capacity through high rigidity

The PERI UP nodes provide a maximum of twelve connection possibilities for:

- four ledgers,
- four ledger diagonal braces and
- four node braces.

The high rigidity of the ledger connection allows only small deformations on the standards. This results in high standard loads and it means that braces are not required in many cases – the ledgers provide sufficient reinforcement.

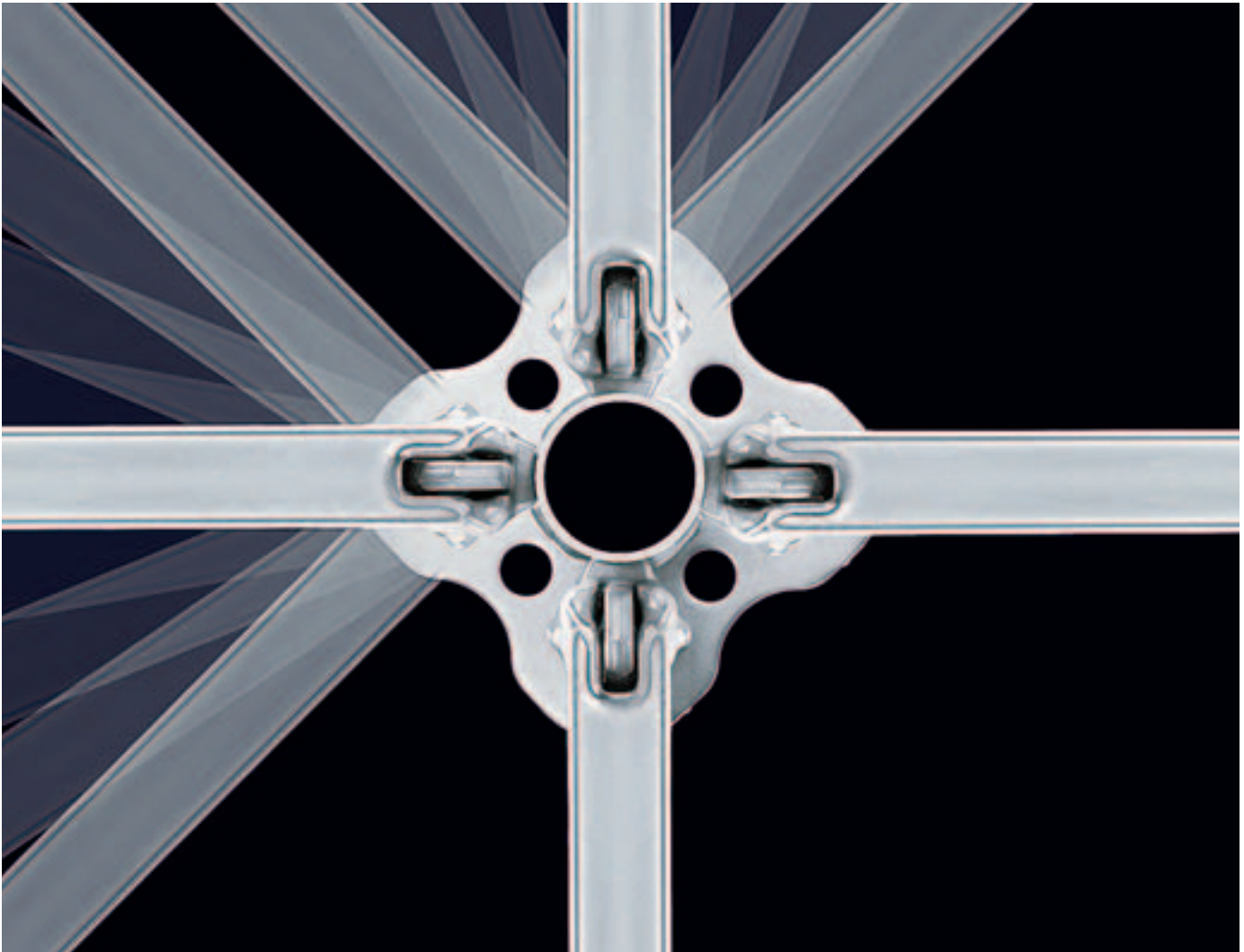


The shape of the rosette prevents the standards from rolling away and makes stacking very easy.



The PERI UP scaffold node has been approved by the Deutsches Institut für Bautechnik.

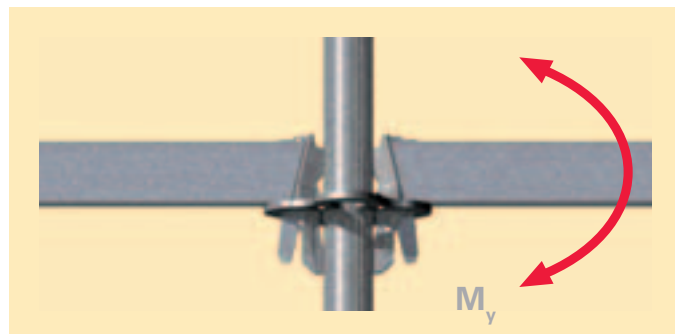
The UP Rosett allows for connecting at up to 45°.



Design values of the German Technical Approval Z-8.22-863

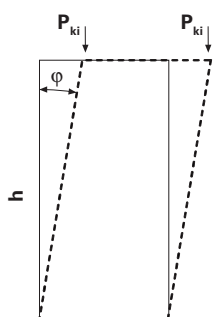
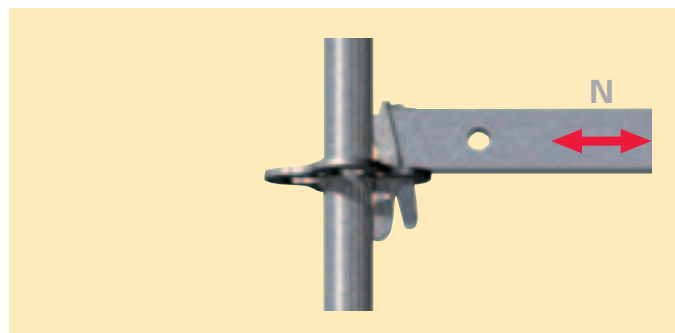
Ledger moment

$M_{y,d} = 89.1 \text{ kNcm}$



Ledger horizontal force

$N_d = 24.7 \text{ kN}$

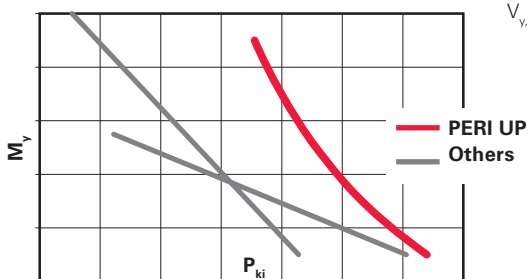
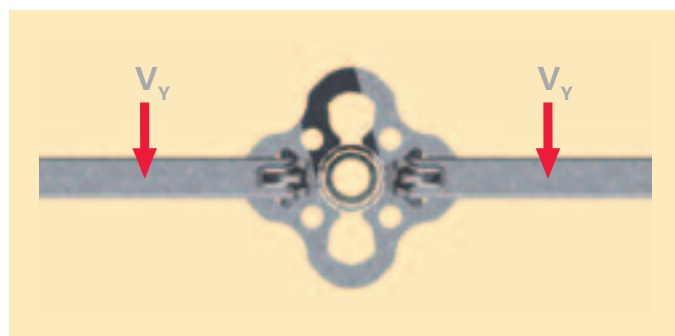


$$P_{ki} = \frac{2 \cdot M_y}{h} \cdot \frac{1}{\phi}$$

The high rigidity of the PERI UP node allows very high leg loads.

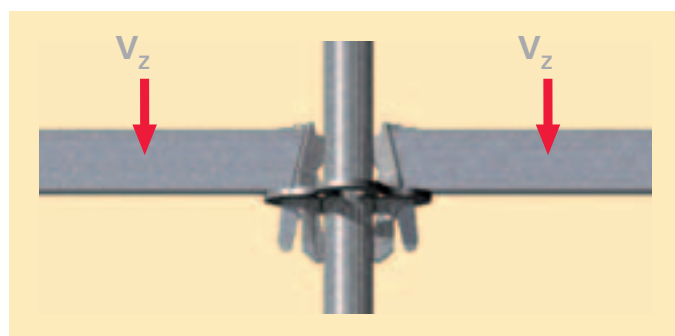
Ledger shear force

$V_{y,d} = 11.3 \text{ kN}$



Ledger shear force

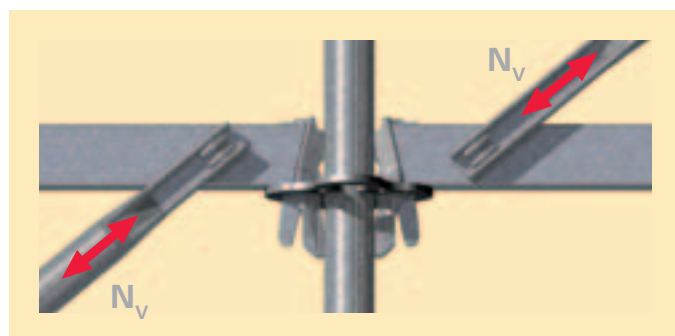
$V_{z,d} = 30.4 \text{ kN}$



Node braces are mainly required for cantilevers.

Brace force

$N_{v,d} \leq 9.6 \text{ kN}$



Ledger diagonal braces are inserted directly into the holes of the ledger.

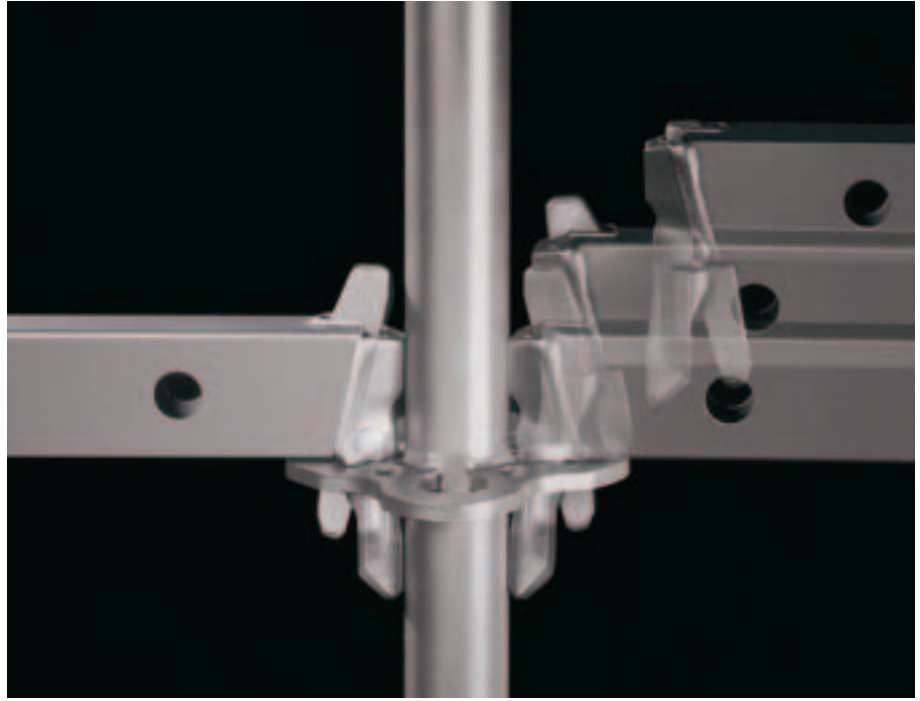
Ledger with "Gravity Lock"

Fast, simple and safe

The PERI UP gravity lock allows easy and safe assembly.

When inserting the wedge head into the rosett, the wedge drops through the force of gravity into the hole and locks.

The rectangular profile of the ledger prevents the assembly of tubes and couplers to parts not suitable.

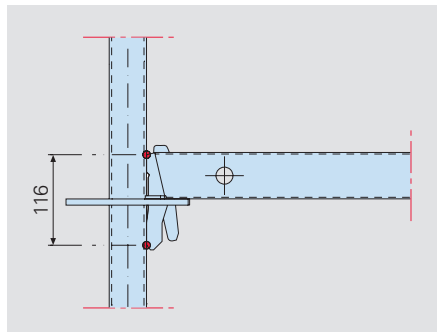


Simple, safe assembly of the UH ledger thanks to PERI UP gravity lock.



Gravity lock, the self-securing ledger connection, rigidly connects the ledger to the rosett.

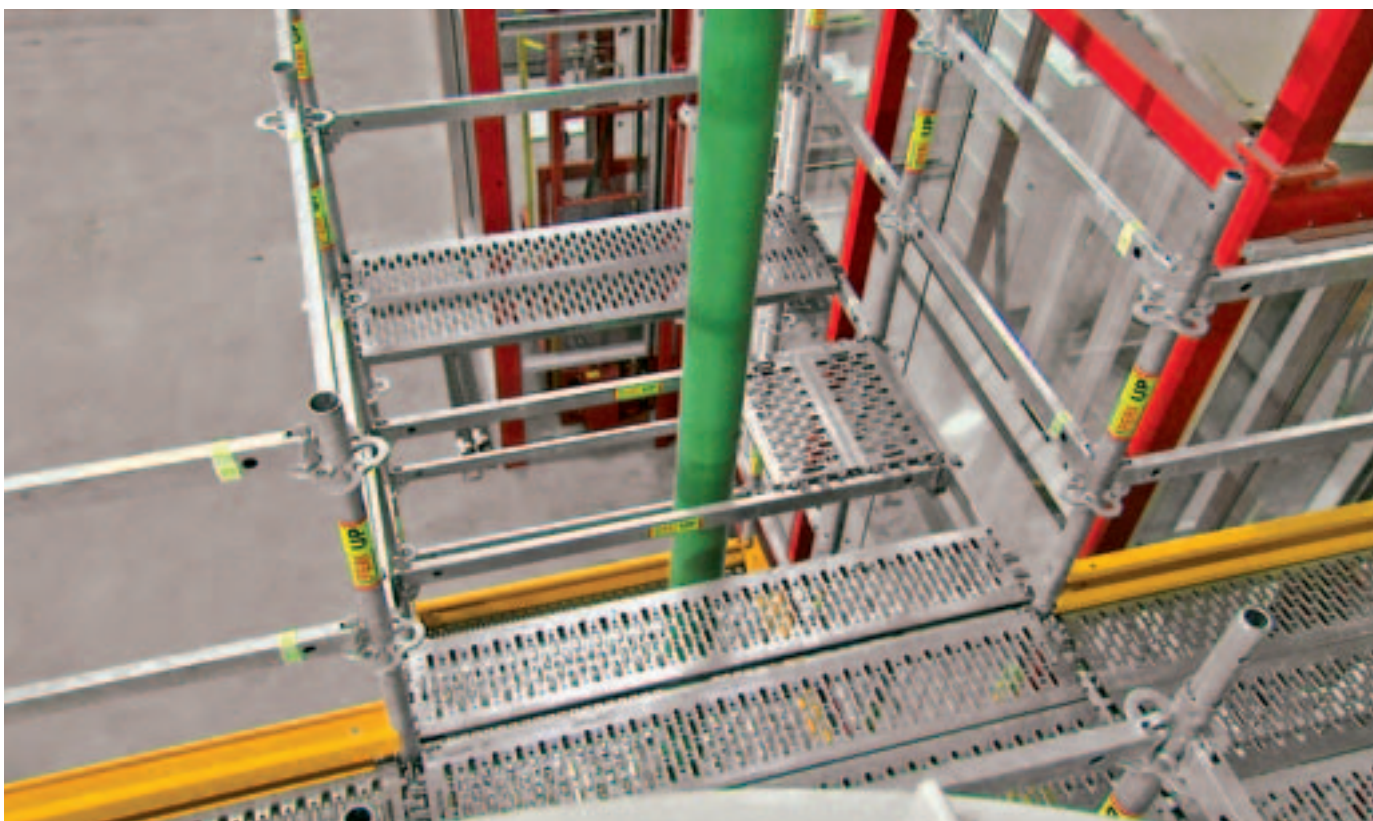
The ledger can be easily installed from a safe position. The wedge drops by gravity and secures automatically.



High node rigidity due to the large pressure point spacing of 116 mm.



The small width of the UH ledger means that up to 4 ledgers can be carried manually at any one time.



The ledger fulfils several functions:

- Above the decking it is used as a guardrail.
- On the level of the decking, the same ledger serves as a support for the decks. This means the number of different components is reduced.

Ledgers for all tasks

As guardrail or ledger for material storage

The lengths and type of horizontal components can be selected according to the load.

All ledgers have a rectangle profile on the top side which is approx. 30 % lighter compared to a round tube with same load-bearing capacity.

For minimum loads and small spans, the standard ledger is sufficient. For higher loads, the reinforced ledger is used.

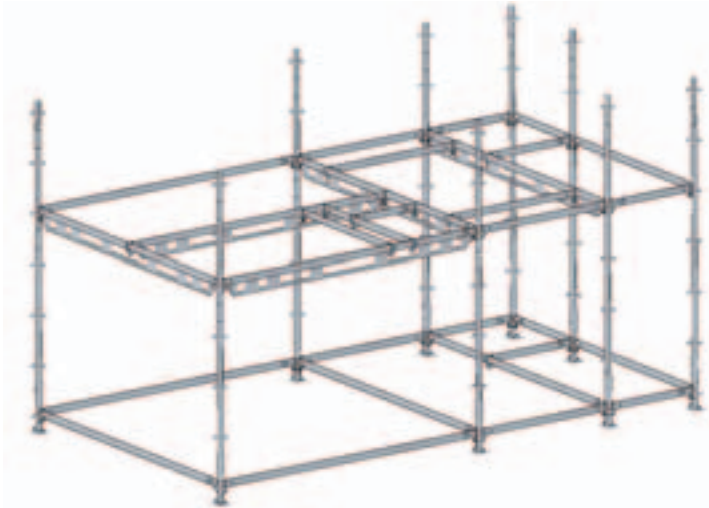
Covering of gaps is not necessary. Each ledger length can be completely covered with system decking.



Platform completely covered with PERI UP system decking.

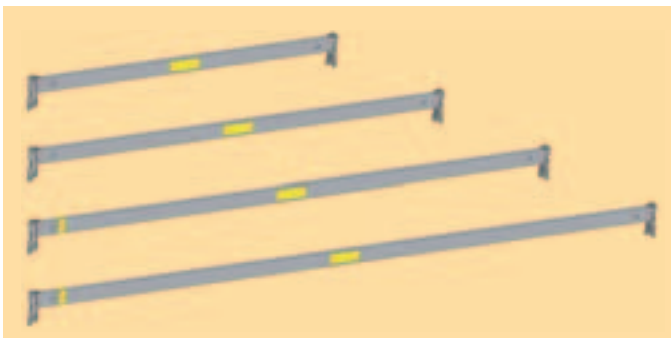


Lightweight ledger used as a guardrail. For platforms, reinforced or standard ledgers are used depending on the load requirements.



Ledger UH.

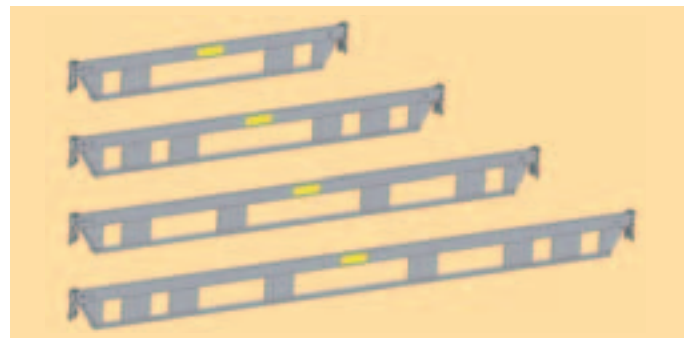
The lightweight UH ledger is available in lengths increments of 25 or 50 cm. This means that all lengths can be used as guardrails as well as decking support.



		Wgt. [kg]	F [kN]	q [kN/m]
UH	25	1.40	–	18.5
	50	2.00	–	18.5
	75	2.60	6.3	18.5
	100	3.40	4.5	9.3
	125	4.00	3.8	6.7
	150	4.80	3.3	4.8
	200	6.10	2.6	2.8
	250	7.50	2.1	1.9
	300	8.80	1.8	1.3
400	11.50	1.4	0.7	

Reinforced UHV ledgers designed as a lightweight construction.

The reinforced UHV ledger is the right choice for spans of 1.50 m and more. Depending on the load, there are two versions available.



		Wgt. [kg]	F [kN]	q [kN/m]
UHV-L	250	12.60	6.3*	4.5
	300	15.30	5.8*	3.8
UHV	150	11.10	13.3	19.9
	200	14.80	11.6	13.1
	250	18.00	9.9*	8.5
	300	21.80	9.0*	6.9
*held laterally by the decking or similar				

Optimized safety and cost-effectiveness

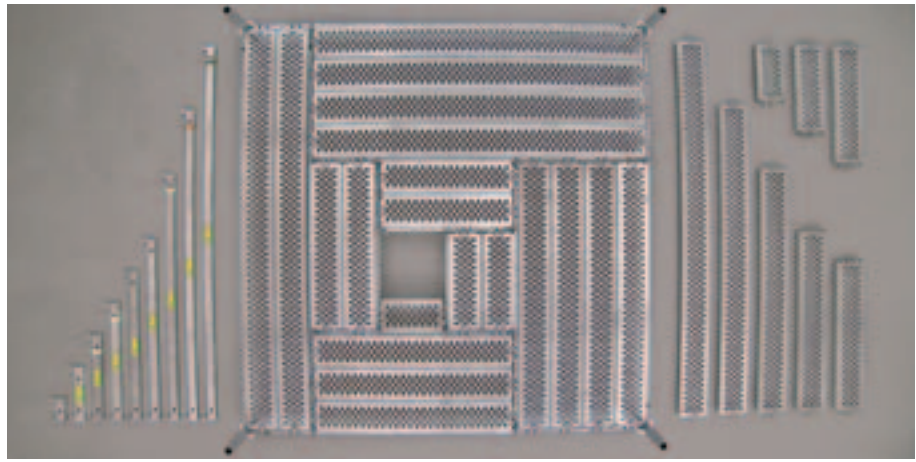
Scaffold decking with grid system

For the new PERI UP industrial decks, a system width of 25 cm was selected. Due to this, working platforms are completely covered without any gaps.

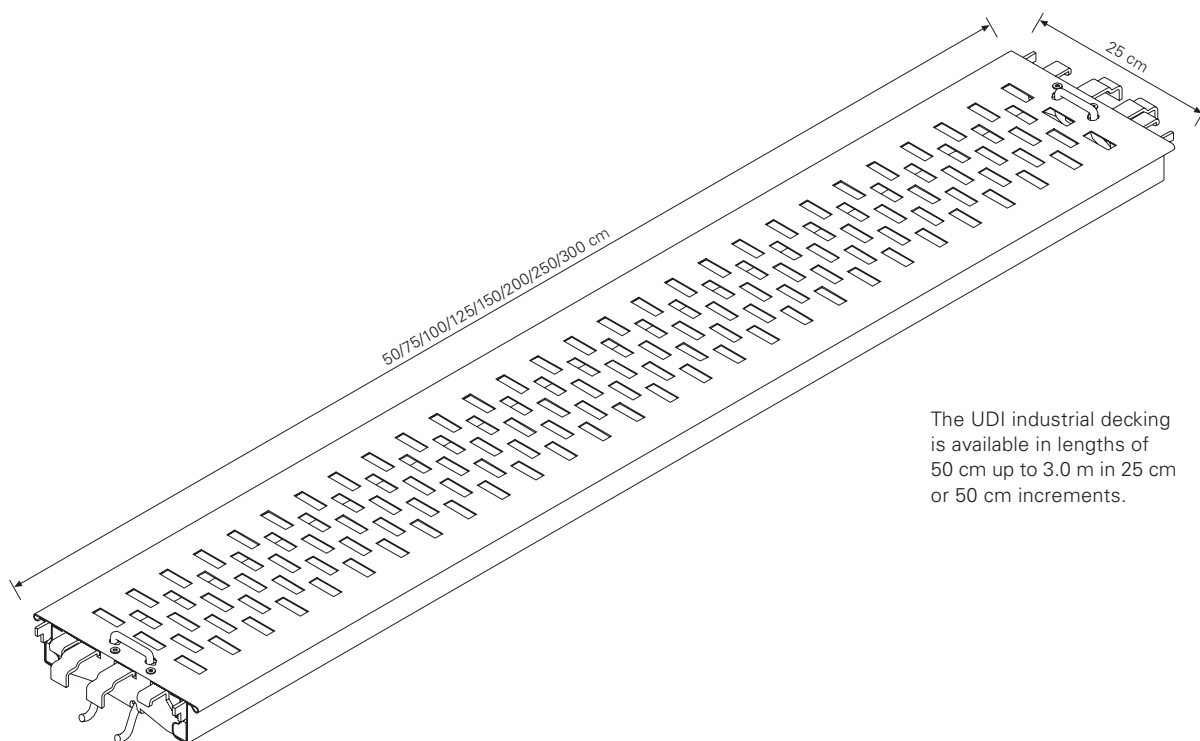
All decks have an integrated lock against lifting as well as a non-slip perforated surface.

The small overall height and specially selected profile cross-section, allow ergonomic transport by hand.

Through the mounting of the ledger between the decks, each field can be divided in order to be able to accommodate props or pipes.



Decking areas can be completely covered. Projecting steel columns can be built around using system components.



The UDI industrial decking is available in lengths of 50 cm up to 3.0 m in 25 cm or 50 cm increments.



The deck is mounted to the profile of the ledger. A separate ledger is not required for the decking.



The clamp of the deck opens when engaged ...



... and is secured through the force of gravity. This means the deck is prevented from lifting.

Fast assembly of platforms

Decking installed in “almost any position”

Depending on the required direction of the deck span, ledgers are installed as support.

As the ledger fits between two adjoining decks, the most favourable laying direction can always be selected.

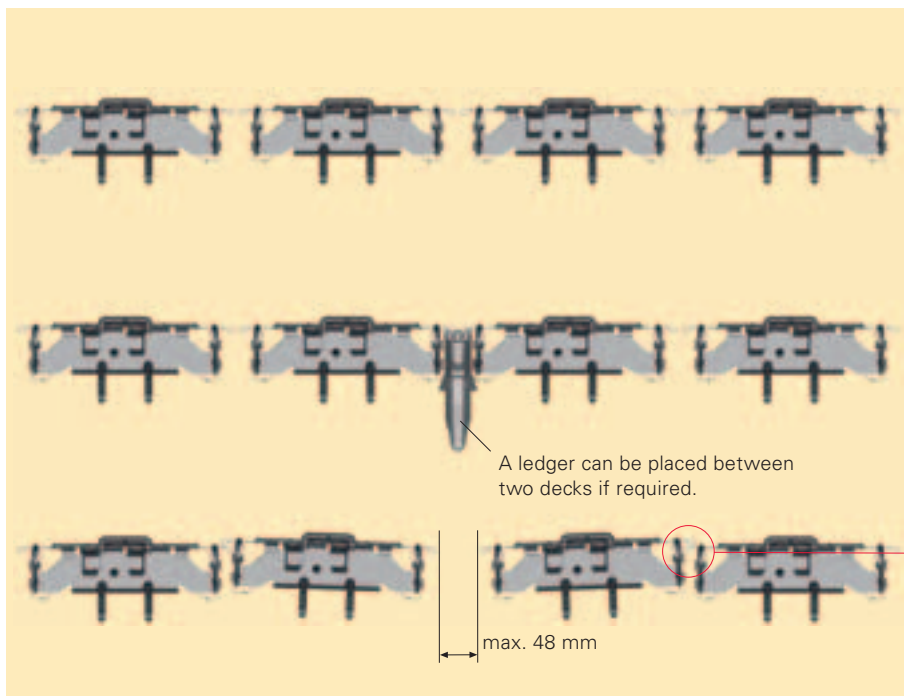
For protruding pipes or diagonals, openings can be created by overlapping the decks.

The tremendous flexibility of the decking is fully utilized, in particular, for complicated industrial plants with guaranteed fast assembly.



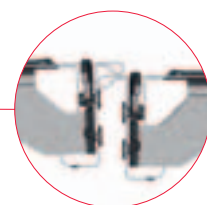
Piping installations can be integrated in such a way so that safe and gap-free working platforms are created.





The PERI UP industrial decking in detail:

- Overlapping of decks is possible (erecting past the pipes)
- Complete covering of all levels.
- Deck widths of 25 and 37.5 cm.
- Integrated protection against lifting.
- Non-slip surface.
- Easy to carry and transport (attach to clamp).
- Deck clamp for connecting two decks.



For small openings, decks can be overlapped.

Loading of UDI steel deck

Length [cm]	Weight [kg]	acc. to DIN EN 12811-1 Load Class	Perm. load [kN/m ²]	max. possible surface load* [kN/m ²]
UDI 25 x 50	4.00	6	6.00	40.0
UDI 25 x 75	5.40	6	6.00	26.7
UDI 25 x 100	6.70	6	6.00	20.0
UDI 25 x 125	8.10	6	6.00	16.0
UDI 25 x 150	9.50	6	6.00	13.3
UDI 25 x 200	12.30	6	6.00	10.0
UDI 25 x 250	15.00	5	4.50	8.0
UDI 25 x 300	17.80	4	3.00	6.3
UDI 37,5 x 50	5.10	6	6.00	40.0
UDI 37,5 x 75	6.80	6	6.00	26.7
UDI 37,5 x 100	8.50	6	6.00	20.0
UDI 37,5 x 125	10.20	6	6.00	16.0
UDI 37,5 x 150	11.80	6	6.00	13.3
UDI 37,5 x 200	15.20	6	6.00	10.0
UDI 37,5 x 250	18.50	5	4.50	7.5
UDI 37,5 x 300	21.90	4	3.00	5.2

*without deflection limitation.

Safety measures recognizable from afar

Toe board painted in signal colour



The toe board borders the working platforms on all sides. Due to the bright signal colour, the completed scaffold can be easily checked at a distance.

The toe board is always mounted between two vertical scaffold tubes.

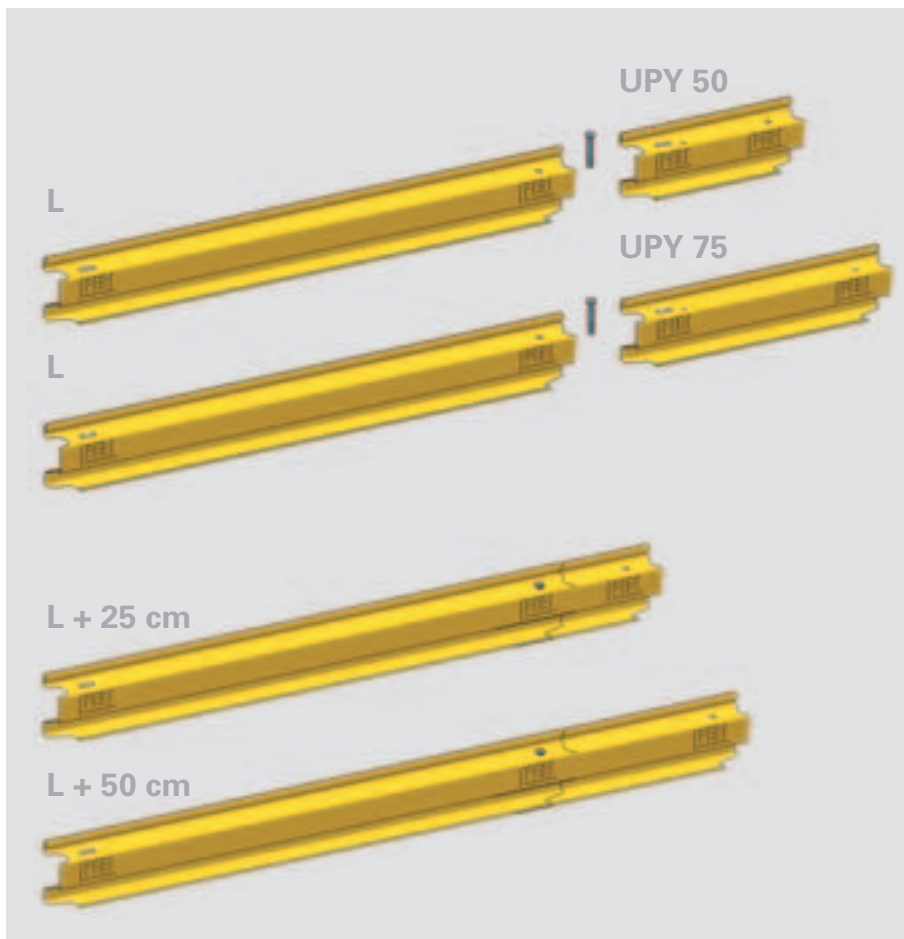
It can also be used over corners – for this, only one of the toe boards has to be turned.

Toe boards do not burn, have a very low weight and can be easily stacked on top of each other.



End-to-end toe boards provide safety on the platforms.

Easy transport due to the lightweight components and simple stacking.



For intermediate lengths, the UPY 50 and UPY 75 boards can be screwed to longer toe boards.



The hatch of the access opening is also able to be opened even with end-to-end toe boards.

Small additional components with big effects

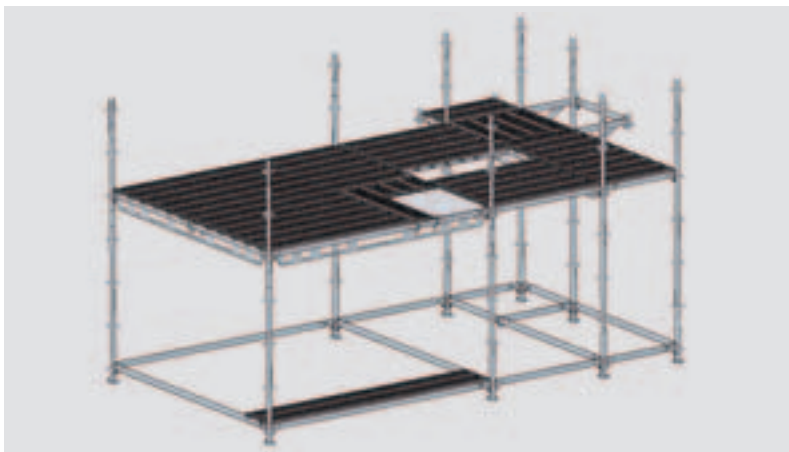
PERI connections ensure flexibility

With the PERI connections, ledgers (ledger-to-ledger) or standards (standard-to-ledger) can be attached to the available ledgers.

Assembly is simple: ledgers are divided so that the industrial decking as well as the standards can be arranged as required.

Opening can be very easily accommodated with system components.

The decking can be moved up very closely to the obstruction, the edges of the decks are then secured with guard-rails and toe boards.

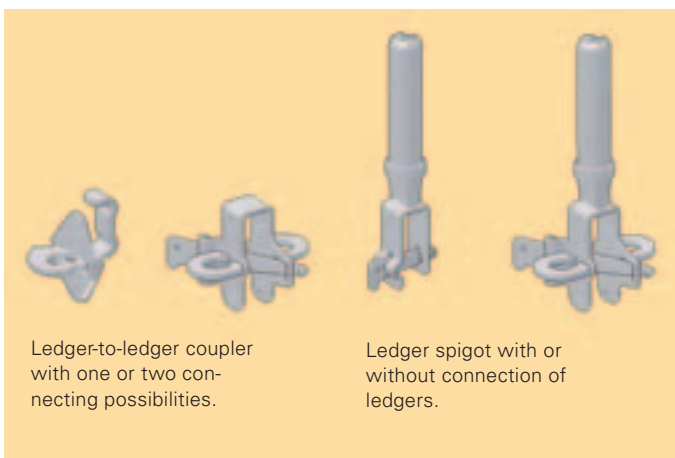


Erecting around pipe installations. No problem with PERI connecting parts.

Decks can be arranged as required around openings.



Guardrails and toe boards can be adapted to suit site conditions.



Ledger-to-ledger coupler with one or two connecting possibilities.

Ledger spigot with or without connection of ledgers.



Ledger-to-ledger connecton.



Standard-to-ledger connection.

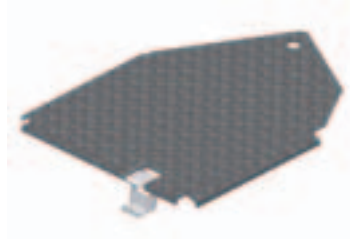
Ledger to ledger coupler makes scaffolding easier

Circular container with continuous side protection

Circular structures frequently require the use of tube and couplers. With Rosett Flex, the complete scaffolding can be carried out with system components. This results in a clear reduction in assembly times.

On the outer side of the scaffold, side protection is mounted consisting of guardrails and toe boards in the grid system.

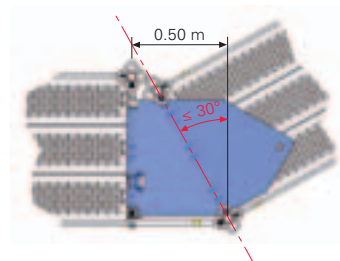
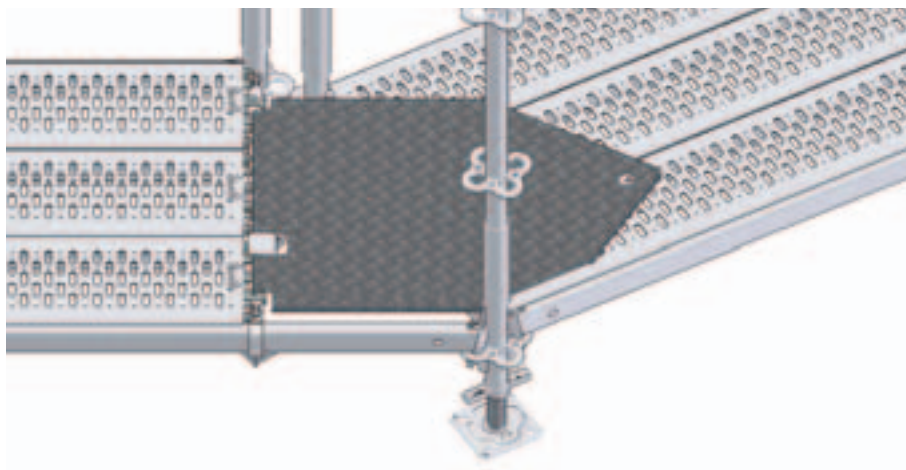
For supporting the decks, ledgers are installed transversely. The trapezoidal-shaped remaining area is closed using the PERI UP Corner Sheeting UPD.



Only one Corner Sheeting UPD is sufficient to cover every diameter of circular structures.

The PERI Corner Sheeting UPD closes all gaps in the decking between the turned scaffold fields.





The Corner Sheeting is firmly connected with the left ledger. The right field can be freely turned and adapted to suit the radius.

Circular container scaffolded with a three-part side protection complete with system components.



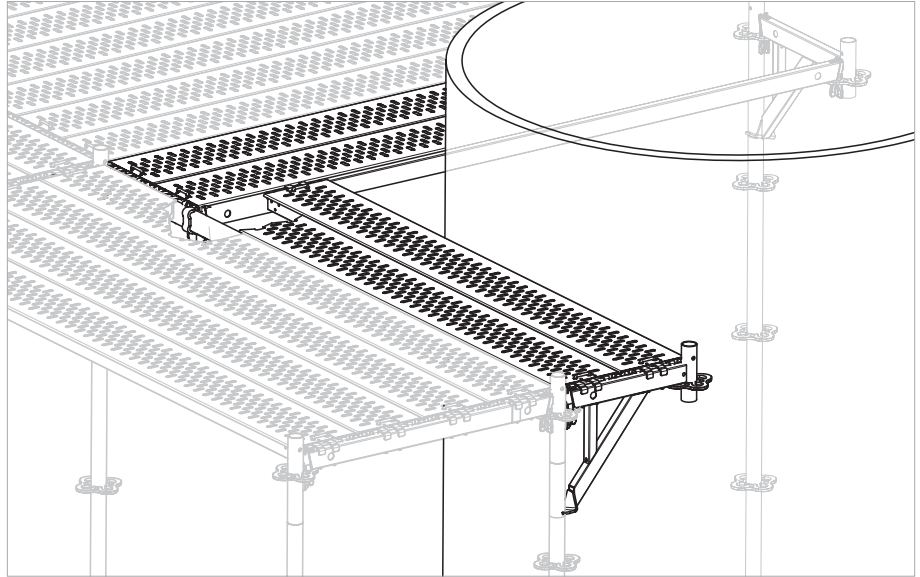
Widening platforms with new possibilities

Rosetts at the ends of brackets

With the brackets, platforms are widened or gaps to existing buildings are reduced.

The industrial decks are also secured on the brackets against lifting and close tightly with the main decking.

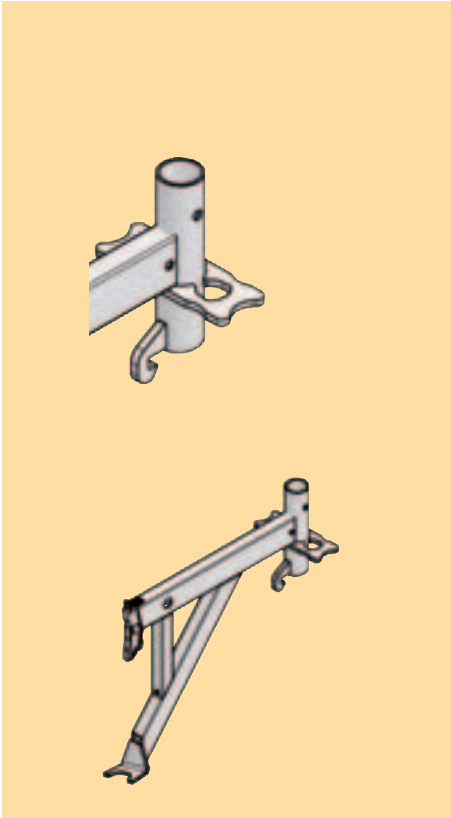
At the ends of the brackets, ledgers and verticals can be attached. Through this, internal corners can be completely covered with decking.



Brackets on the inside of a platform around a circular container. The decking is laid on ledgers and the brackets.

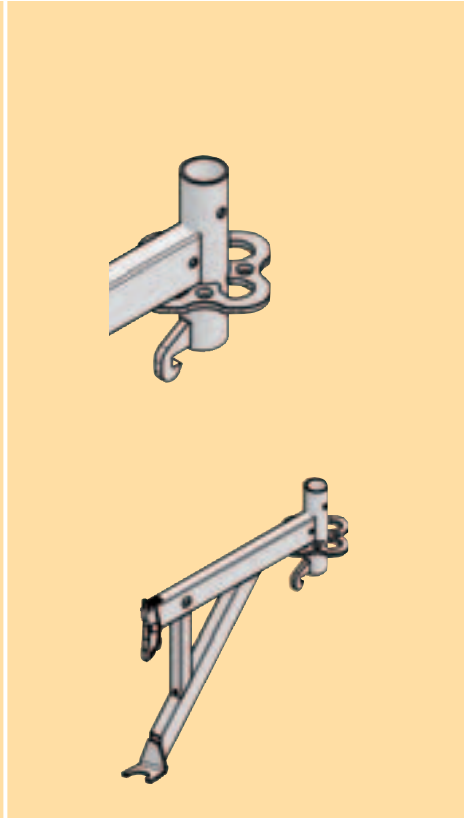
On the internal corners of the building, the brackets can be attached to a vertical simultaneously – without any height offset.





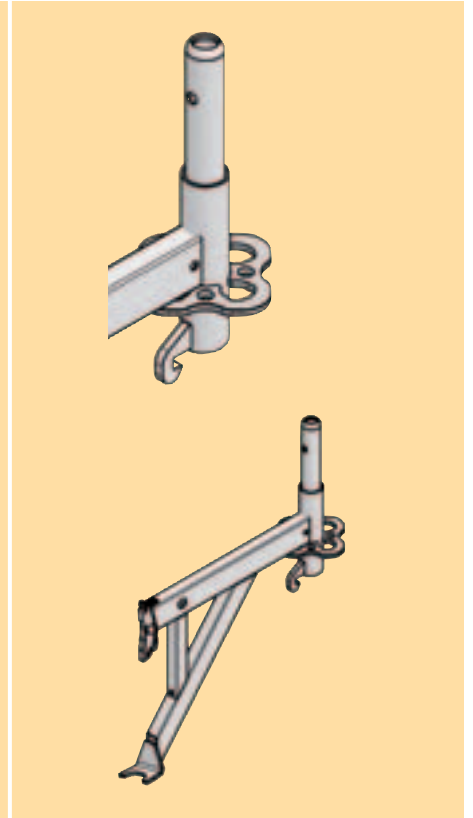
Bracket with half Rosett for small wall distances.

Ledgers can be mounted on the left and right.



Bracket with complete Rosett.

Ledgers can be attached in three directions.

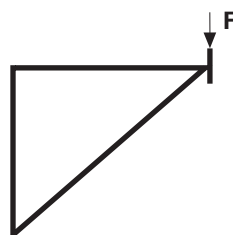


Bracket with Rosett and pressed-in spigot.

For attaching ledgers and verticals e.g. as guardrails.

Table with bracket bearing capacities

	Point Load F [kN]
UCM 50 with half Rosett	3.9
UCM 75 with half Rosett	3.9
UCM 50-2	3.9
UCM 75-2	3.9
UCM 50 with Spigot	3.9
UCM 75 with Spigot	3.9



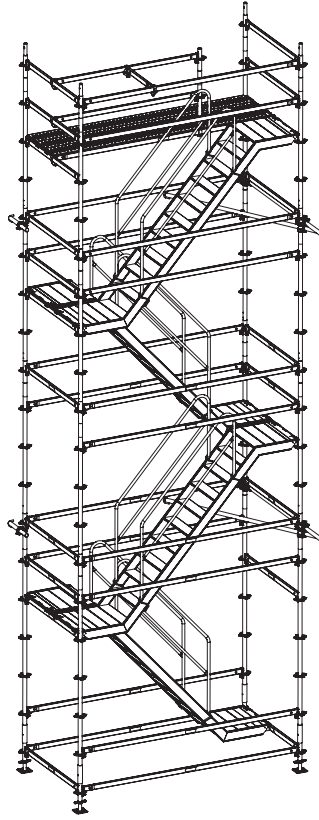
Access up to 90 m high

Lightweight stair towers for fast assembly

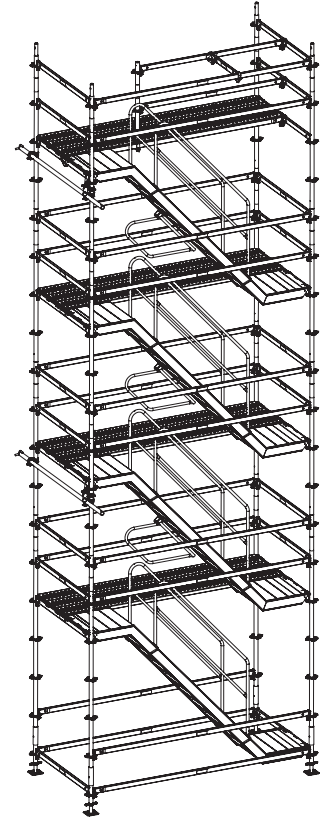
PERI UP Rosett Flex site stair towers can be used as free-standing and pre-assembled units up to heights of 90 m.

Simple and fast assembly due to high-strength aluminium staircase units with a width of 75 cm.

The permissible load is 2,00 kN/m².

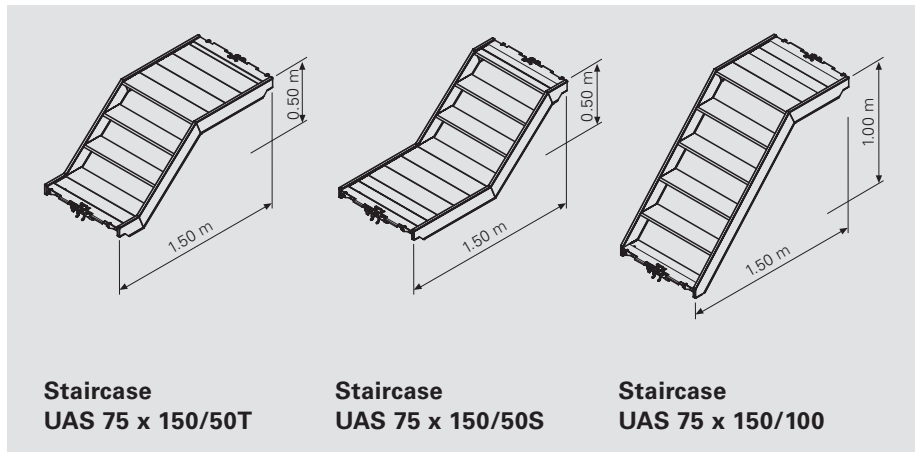


Alternating staircase units offer larger headroom and shorter routes between levels.



Staircase units in the same direction is the preferred type for erecting and offers additional working platforms.

Adjustments required for exit heights are carried out with 50 or 100 cm high staircase units on laterally-mounted brackets. For intermediate heights, the staircase units can also be positioned in the middle of a scaffold field.





The lateral height adjustments leave the landings free for climbing up or down.



Height adjustments on building openings are installed independent of the floor height.

Site stairs with easily mountable steps

Convenient access even with tools

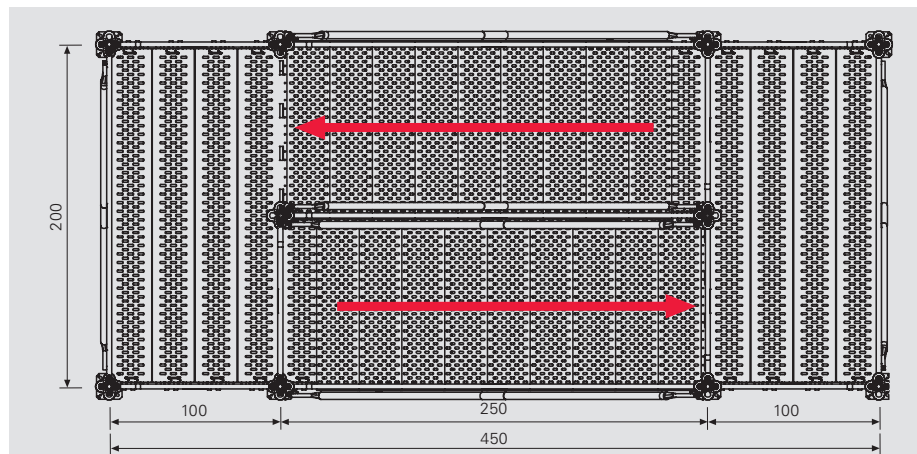
For construction sites with high load and accessibility requirements.

The PERI UP site stair is erected as a 10-leg tower with landing widths of 100 or 150 cm. Together with the step widths of 100 cm, it provides easy and comfortable access – with room enough to pass.

With a permissible load of 3.0 kN/m², it can be assembled up to a height of 50 m.

Erection is simple and fast. The stringers are mounted first followed by the steps which interlock during installation. The top step secures all the others.

Site stairs with a choice of landing widths - 100 or 150 cm.



The site stairs are ideal as an entrance facility. The permissible load amounts to 3.0 kN/m².



The maximum live load of a tower is 40 kN. This means the stairs can be used by up to 50 people simultaneously.



Non-slip, perforated steps and decking make ice formation more difficult in winter.

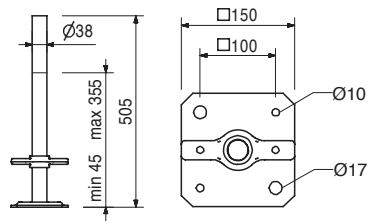
Assembly without tools

Lightweight individual steps interlock during installation and are self-securing.

The stair width of 100 cm allows the transportation of injured persons.

Item no.	Weight kg
100411	3,330

Adjustable Base Plate UJB 38-50/30, galv.
 For facade scaffolding and shoring. With captive swivel nut, red.



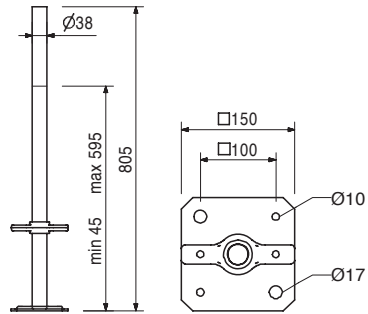
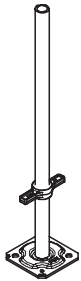
Accessories

100863	1,030
--------	-------

Handle Lock UJS, galv. (1 Pcs.)

100242	4,520
--------	-------

Adjustable Base Plate UJB 38-80/55, galv.
 For facade scaffolding and shoring. With captive swivel nut, yellow.



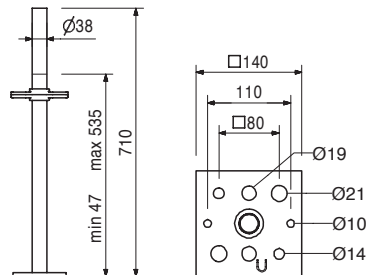
Accessories

100863	1,030
--------	-------

Handle Lock UJS, galv. (1 Pcs.)

019780	5,160
--------	-------

Base Spindle TR 38-70/50, galv.
 For more heavily loaded shoring. With captive swivel nut.



Accessories

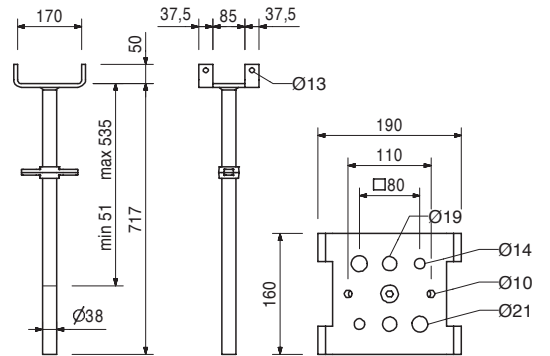
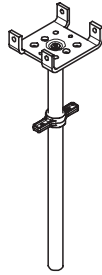
100863	1,030
--------	-------

Handle Lock UJS, galv. (1 Pcs.)

Item no.	Weight kg
019790	6,360

Pivoting Head Spindle TR 38-70/50, galv.

Head spindle with pivoting plate 4,4% in any direction. With captive swivel nut.



Accessories

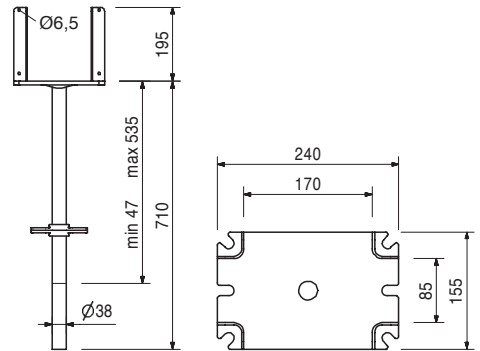
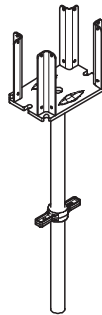
019800	0,063
--------	-------

Safety Strap Spindle ST 100, galv. (1 Pcs.)

019950	7,690
--------	-------

Crosshead Spindle Tr 38-70/50, galv.

Head spindle providing stable support for one or two GT 24 or VT 20 girders. With captive swivel nut.



Accessories

019800	0,063
--------	-------

Safety Strap Spindle ST 100, galv. (1 Pcs.)

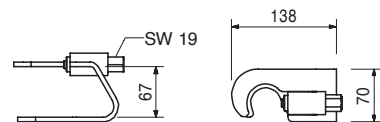
100863	1,030
--------	-------

Handle Lock UJS, galv.

To secure spindles into the frames when moving with the crane.

Note

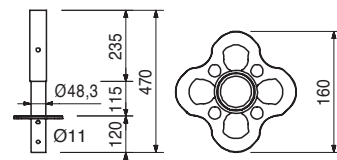
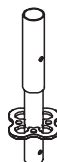
Spanner size SW 19.



100014	2,470
--------	-------

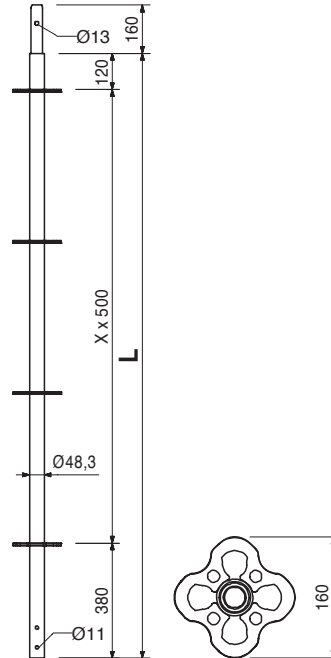
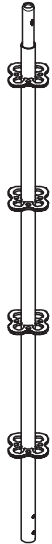
Base Standard UVB 24, galv.

For mounting directly on the base spindle. Allows higher loads and erection by one person.



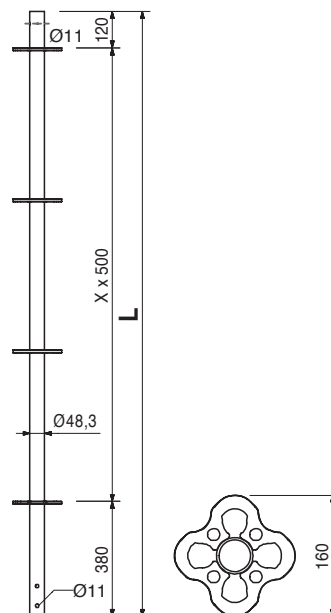
Item no.	Weight kg		L
102859	3,080	Standard UVR, galv.	500
101306	5,380	Standard UVR 50, galv.	1000
102860	7,690	Standard UVR 100, galv.	1500
100009	10,000	Standard UVR 200, galv.	2000
100012	14,800	Standard UVR 300, galv.	3000
100013	19,200	Standard UVR 400, galv.	4000

With spigot to connect the standards.



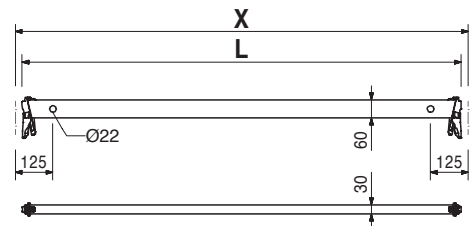
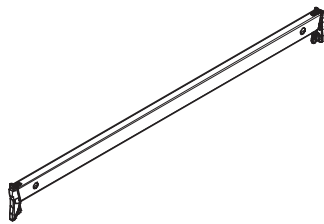
Item no.	Weight kg		L
101309	2,510	Top Standard UVH, galv.	500
100000	4,610	Top Standard UVH 50, galv.	1000
100003	6,920	Top Standard UVH 100, galv.	1500
100005	9,240	Top Standard UVH 200, galv.	2000
100007	11,500	Top Standard UVH 250, galv.	2500

Without spigot to fix the head spindle.

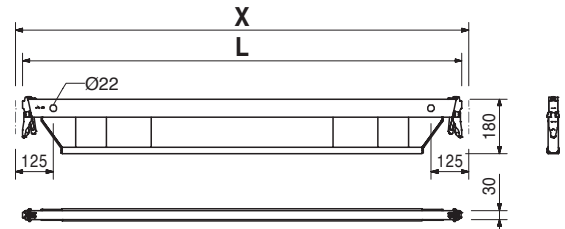
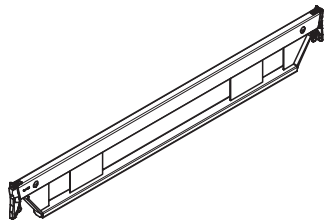


Item no.	Weight kg		L	X	Sticker
		Ledger UH, galv.			
104780	1,390	Ledger UH 25, galv.	204	250	
104779	2,040	Ledger UH 50, galv.	454	500	
100440	2,630	Ledger UH 72, galv.	674	720	
100017	2,710	Ledger UH 75, galv.	704	750	White
101159	3,370	Ledger UH 100, galv.	954	1000	White
100192	3,480	Ledger UH 104, galv.	994	1040	
110347	4,030	Ledger UH 125, galv.	1204	1250	
100021	4,690	Ledger UH 150, galv.	1454	1500	
100023	6,020	Ledger UH 200, galv.	1954	2000	White
100025	7,340	Ledger UH 250, galv.	2454	2500	Red
100027	8,670	Ledger UH 300, galv.	2954	3000	Black
100029	11,300	Ledger UH 400, galv.	3954	4000	

Note
Stamped with length and indication of length with coloured sticker.

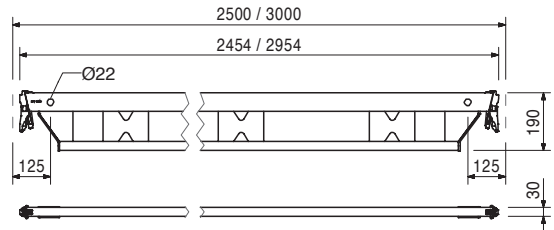
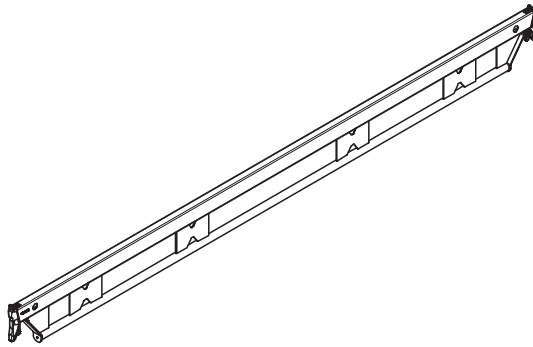


			L	X
		Ledger UHV, galv.		
109107	11,000	Ledger UHV 150, galv.	1454	1500
109108	14,800	Ledger UHV 200, galv.	1954	2000
109109	18,000	Ledger UHV 250, galv.	2454	2500
109110	21,800	Ledger UHV 300, galv.	2954	3000

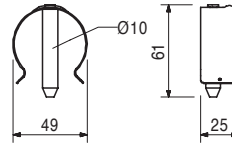


Item no. Weight kg

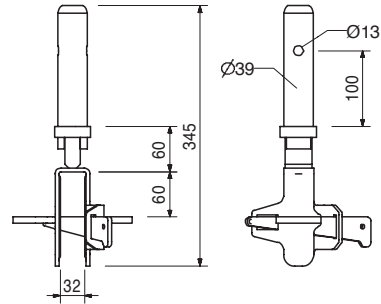
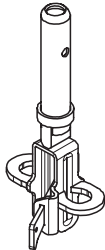
110807	12,600	Ledger UHV-L, galv.
110815	15,300	Ledger UHV-L 250, galv.
		Ledger UHV-L 300, galv.



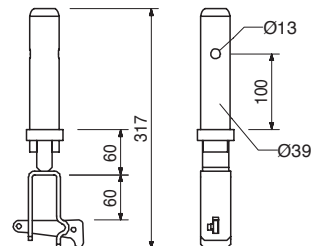
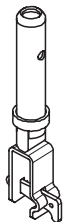
111053 0,055 **Locking Pin Ø 48, galv.**



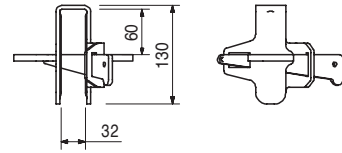
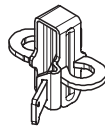
110792 1,880 **Ledger to Ledger Coupler UHA Half w. Spigot, galv.**



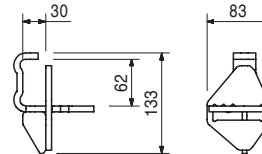
109764 1,220 **Spigot UH, galv**



Item no.	Weight kg	
110793	1,090	Ledger to Ledger Coupler UHA Half, galv.



101731	0,841	Ledger to Ledger Coupler UHA, galv. To connect one ledger UH to another ledger UH.
--------	-------	--

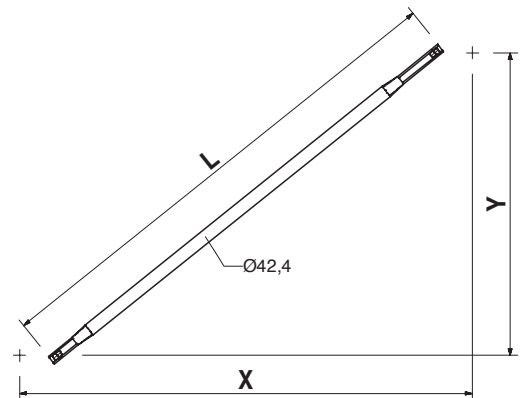
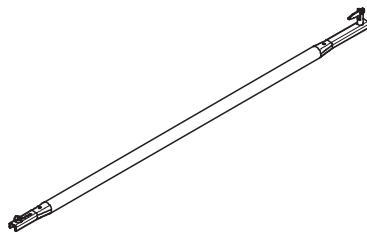


		L	X	Y	Sticker
	Ledger Brace UBL, galv.				
107867	3,800	1396	1500	500	
100055	4,460	1651	1500	1000	
102846	5,350	2002	1500	1500	
100057	6,390	2408	1500	2000	
104391	5,010	1870	2000	500	
100059	5,520	2066	2000	1000	
102862	6,260	2355	2000	1500	
100061	7,160	2708	2000	2000	White
100063	6,660	2512	2500	1000	
102861	7,280	2754	2500	1500	
100065	8,060	3060	2500	2000	Red
104762	7,510	2845	3000	500	
100067	7,850	2976	3000	1000	
104766	8,370	3182	3000	1500	
100069	9,050	3450	3000	2000	Black

Standard diagonal bracing for shoring and towers.
For bracing between LGS elements.

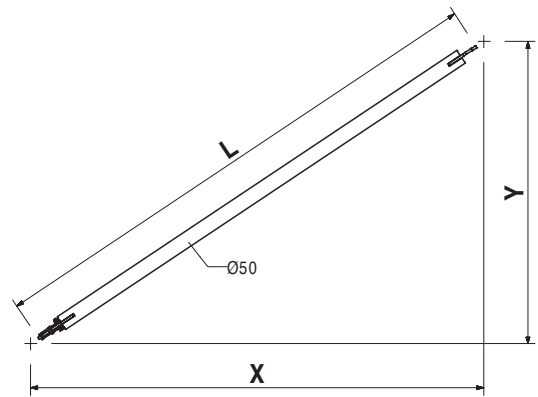
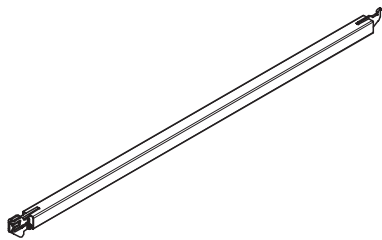
Note

Stamped with length and indication of length with coloured sticker.



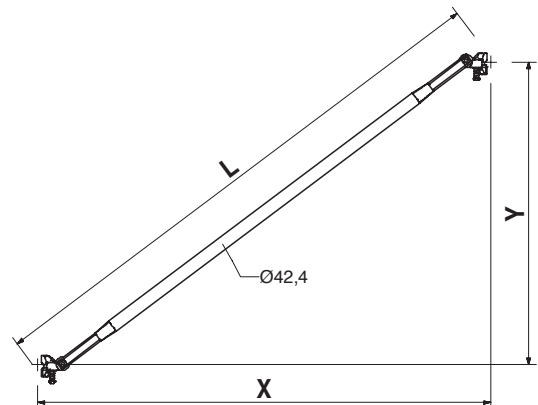
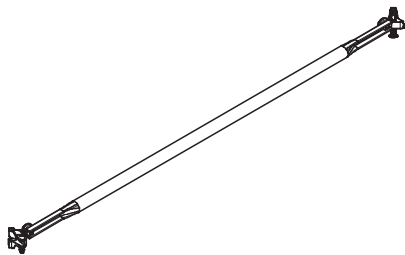
Item no.	Weight kg		L	X	Y
		Horizontal Brace UBH Flex, galv.			
114896	8,210	Horizontal Brace UBH Flex 250/75, galv.	2558	2500	750
114900	9,630	Horizontal Brace UBH Flex 300/75, galv.	3042	3000	750
114818	4,670	Horizontal Brace UBH Flex 100/100, galv.	1352	1000	1000
114821	5,820	Horizontal Brace UBH Flex 150/100, galv.	1742	1500	1000
114819	8,440	Horizontal Brace UBH Flex 250/100, galv.	2637	2500	1000
114892	9,820	Horizontal Brace UBH Flex 300/100, galv.	3109	3000	1000
114904	5,710	Horizontal Brace UBH Flex 125/125, galv.	1706	1250	1250
114908	6,250	Horizontal Brace UBH Flex 150/125, galv.	1891	1500	1250
114912	6,750	Horizontal Brace UBH Flex 150/150, galv.	2059	1500	1500
114916	8,820	Horizontal Brace UBH Flex 200/200, galv.	2766	2000	2000
114920	9,920	Horizontal Brace UBH Flex 250/200, galv.	3140	2500	2000
114924	11,100	Horizontal Brace UBH Flex 300/200, galv.	3545	3000	2000
114928	10,900	Horizontal Brace UBH Flex 250/250, galv.	3473	2500	2500
114932	12,000	Horizontal Brace UBH Flex 300/250, galv.	3843	3000	2500
114936	13,000	Horizontal Brace UBH Flex 300/300, galv.	4180	3000	3000

For horizontal bracing of towers.



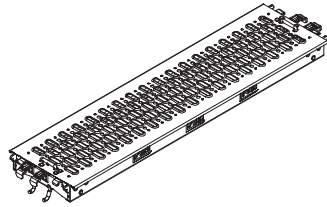
Item no.	Weight kg		L	X	Y	Sticker
		Node Brace UBK, galv.				
100969	6,760	Node Brace UBK 72/200, galv.	2179	720	2000	
100977	4,850	Node Brace UBK 104/100, galv.	1472	1040	1000	
100840	7,030	Node Brace UBK 104/200, galv.	2301	1040	2000	
100981	5,710	Node Brace UBK 150/100, galv.	1821	1500	1000	
100973	6,580	Node Brace UBK 150/150, galv.	2152	1500	1500	
100572	7,600	Node Brace UBK 150/200, galv.	2539	1500	2000	
100985	6,790	Node Brace UBK 200/100, galv.	2246	2000	1000	
106630	7,510	Node Brace UBK 200/150, galv.	2521	2000	1500	
100573	8,390	Node Brace UBK 200/200, galv.	2860	2000	2000	White
100989	7,940	Node Brace UBK 250/100, galv.	2696	2500	1000	
106624	8,540	Node Brace UBK 250/150, galv.	2930	2500	1500	
100574	9,310	Node Brace UBK 250/200, galv.	3226	2500	2000	Red
100993	9,130	Node Brace UBK 300/100, galv.	3131	3000	1000	
100575	10,300	Node Brace UBK 300/200, galv.	3625	3000	2000	Black

For all applications using PERI UP Rosett, particularly on cantilevers.



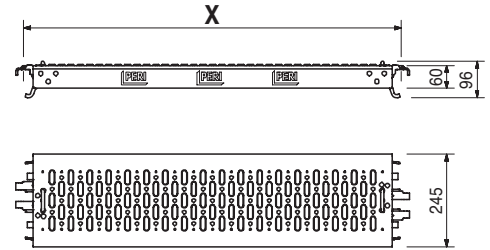
Item no.	Weight kg		X
104029	4,100	Industrial Deck UDI 25, galv.	500
105925	5,530	Industrial Deck UDI 25 x 50, galv.	750
106092	6,960	Industrial Deck UDI 25 x 75, galv.	1000
106880	8,390	Industrial Deck UDI 25 x 100, galv.	1250
107002	9,800	Industrial Deck UDI 25 x 150, galv.	1500
108380	12,700	Industrial Deck UDI 25 x 200, galv.	2000
108540	15,500	Industrial Deck UDI 25 x 250, galv.	2500
108689	18,400	Industrial Deck UDI 25 x 300, galv.	3000

To be used on ledgers UH.



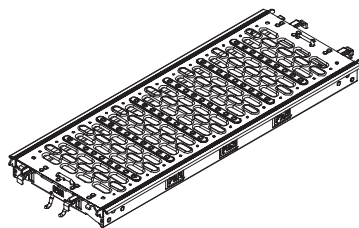
Technical Data

Permiss. load 10.0 kN/m².



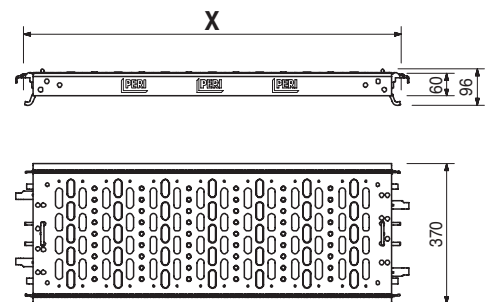
Item no.	Weight kg		X
111685	5,130	Industrial Deck UDI 37,5, galv.	500
111687	6,810	Industrial Deck UDI 37,5 x 50, galv.	750
111686	8,480	Industrial Deck UDI 37,5 x 75, galv.	1000
111860	10,200	Industrial Deck UDI 37,5 x 125, galv.	1250
111863	11,800	Industrial Deck UDI 37,5 x 150, galv.	1500
111864	15,200	Industrial Deck UDI 37,5 x 200, galv.	2000
111865	18,500	Industrial Deck UDI 37,5 x 250, galv.	2500
111969	21,900	Industrial Deck UDI 37,5 x 300, galv.	3000

To be used on ledgers UH.

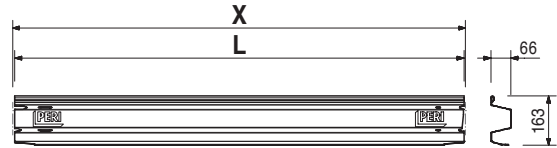
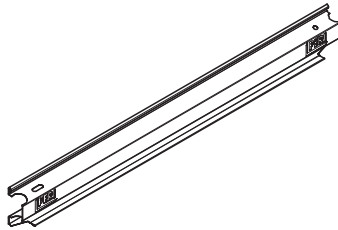


Technical Data

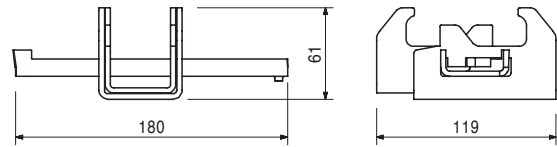
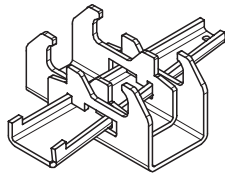
Permiss. load 10.0 kN/m².



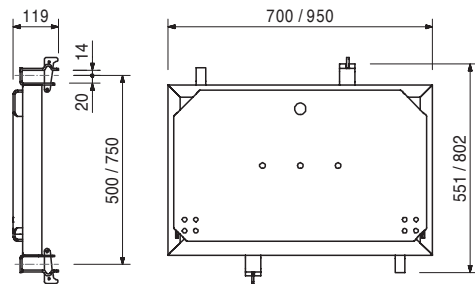
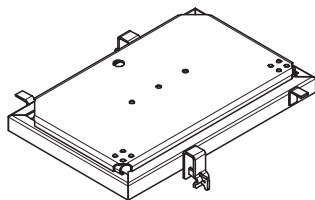
Item no.	Weight kg		L	X
110213	0,927	Toe Board Steel UPY, galv.	486	500
110526	1,380	Toe Board Steel UPY 50, galv.	706	720
110514	1,440	Toe Board Steel UPY 75, galv.	736	750
110073	1,960	Toe Board Steel UPY 100, galv.	986	1000
110076	2,040	Toe Board Steel UPY 104, galv.	1016	1040
110160	3,000	Toe Board Steel UPY 150, galv.	1486	1500
110176	4,030	Toe Board Steel UPY 200, galv.	1986	2000
110208	5,060	Toe Board Steel UPY 250, galv.	2486	2500
110211	6,100	Toe Board Steel UPY 300, galv.	2986	3000



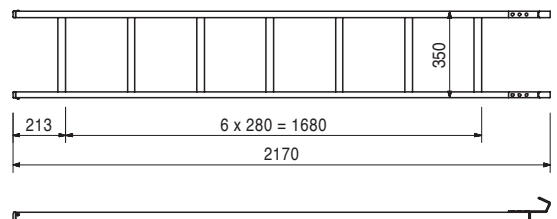
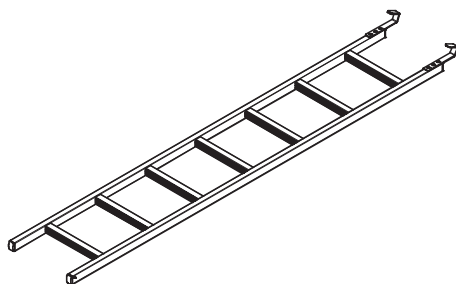
111011	0,797	Deck Link Plate UDC, galv. To connect two industrial decks.
--------	-------	---



109783	9,700	Hatch UAF, galv.
109755	16,300	Hatch UAF 50 x 75, galv. Hatch UAF 75 x 100, galv.

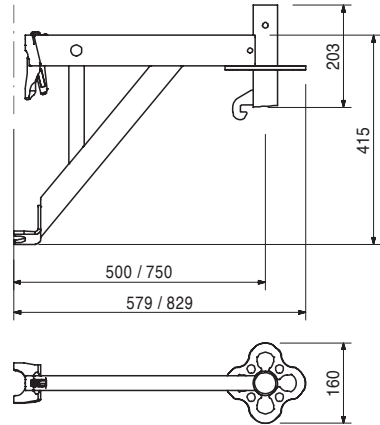
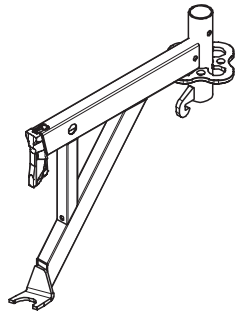


109879	3,820	Ladder UAF 200, galv.
--------	-------	------------------------------



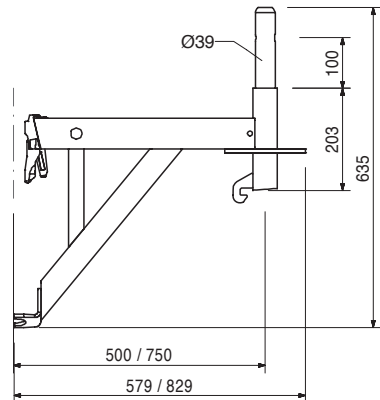
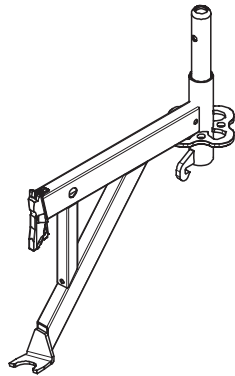
Item no.	Weight kg
110483	4,490
111128	5,720

Console Bracket UCM, galv.
Console Bracket UCM 50-2, galv.
Console Bracket UCM 75-2, galv.



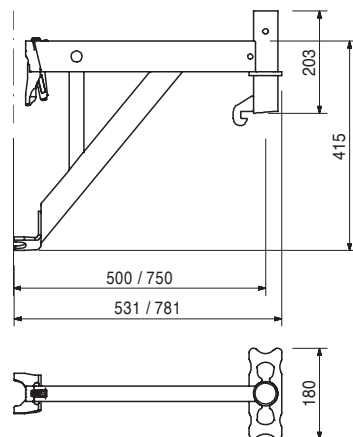
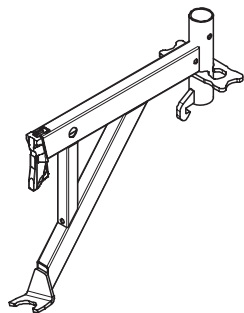
112676	5,280
112678	6,510

Console Bracket UCM with Spigot, galv.
Console Bracket UCM 50 with Spigot, galv.
Console Bracket UCM 75 with Spigot, galv.



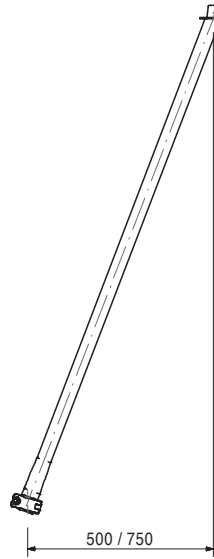
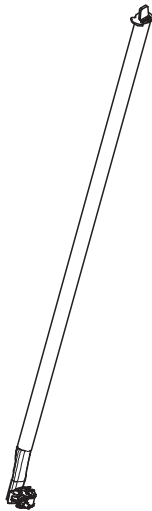
112690	4,390
112693	5,620

Console Bracket UCM with half Rosett, galv.
Console Bracket UCM 50 with half Rosett, galv.
Console Bracket UCM 75 with half Rosett, galv.



Item no.	Weight kg
112717	7,000

Console Bracket Brace UCM, galv.



100265	2,410
100266	3,220
100267	4,020
100268	4,820
100810	9,070

Guardrail UPG, galv.

Guardrail UPG 150, galv.

Guardrail UPG 200, galv.

Guardrail UPG 250, galv.

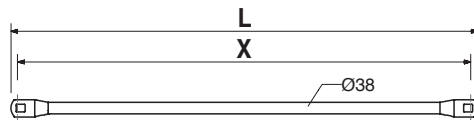
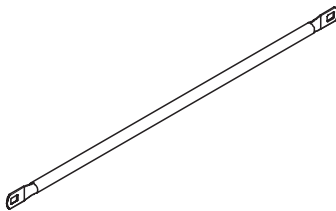
Guardrail UPG 300, galv.

Guardrail UPG 400, galv.

L	X	Sticker
1546	1500	
2046	2000	White
2546	2500	Red
3046	3000	Black
4046	4000	

Note

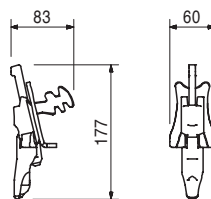
Stamped with length and indication of length with coloured sticker.



104412	0,719
--------	-------

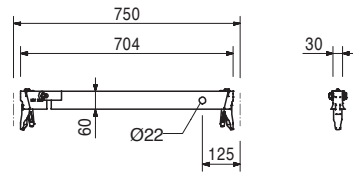
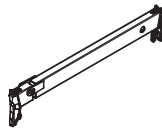
Guardrail Coupler UPW, galv.

Allows mounting of the Guardrail UPG to the rosett.



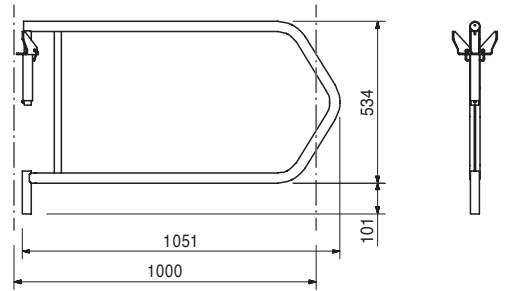
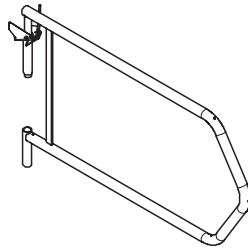
Item no.	Weight kg
110072	2,920

Swing Ledger UPK 75, galv.
Access opens vertical.



110478	5,120
--------	-------

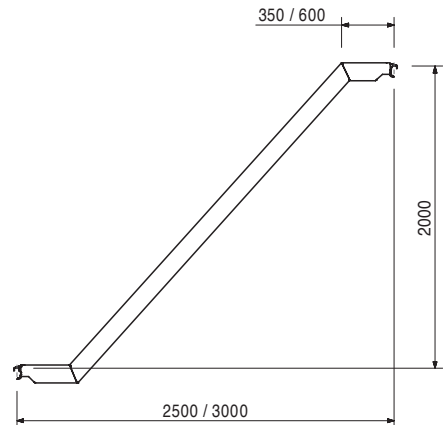
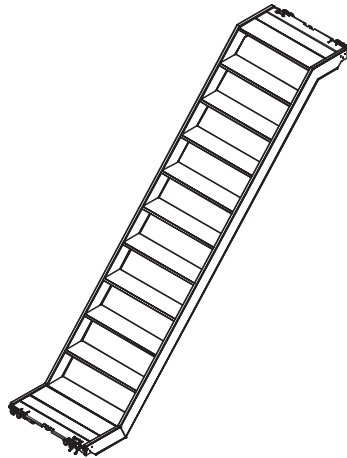
Swing Gate UPX 100, galv.



111117	28,100
111124	33,100

Staircase UAS, galv.
Staircase UAS 75 x 250/200, galv.
Staircase UAS 75 x 300/200, galv.

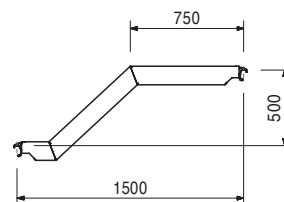
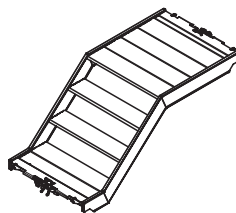
Technical Data
Permissible load 2.0 kN/m².



111087	17,600
--------	--------

Staircase UAS 75 x 150/50 T, galv.

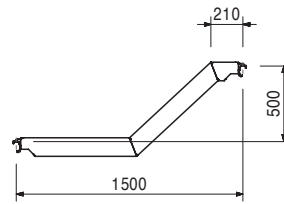
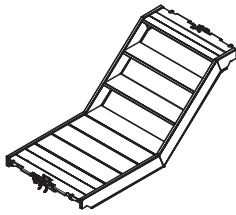
Technical Data
Permissible load 2.0 kN/m².



Item no.	Weight kg
111095	17,600

Staircase UAS 75 x 150/50 S, galv.

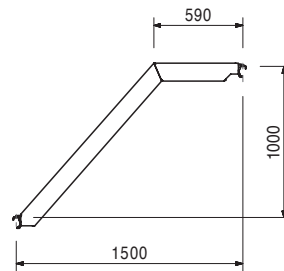
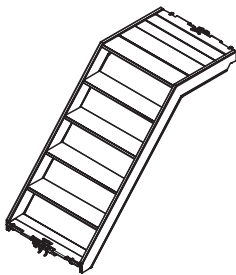
Technical Data
Permissible load 2.0 kN/m².



111103	17,900
--------	--------

Staircase UAS 75 x 150/100, galv.

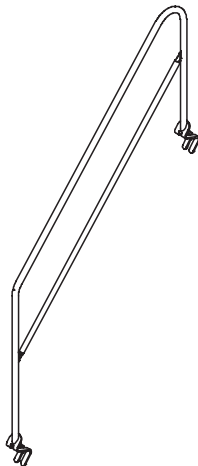
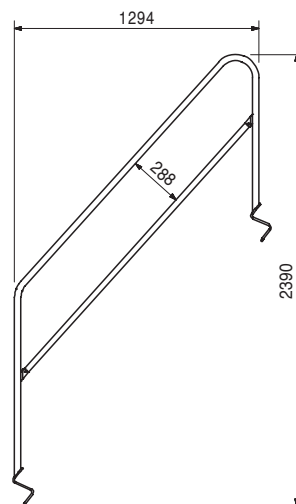
Technical Data
Permissible load 2.0 kN/m².



100742	10,000
--------	--------

Stair Guardrail UAG, galv.

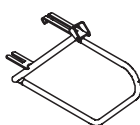
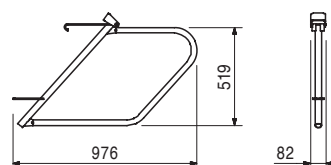
Used as inside and outside guardrail for staircases UAS 250/200 and UAS 300/200.



100830	4,960
--------	-------

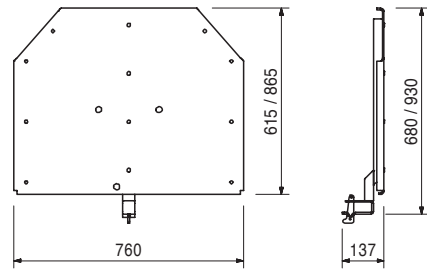
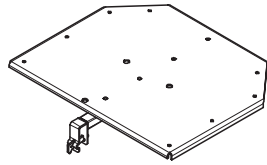
Stair Guardrail UAH, galv.

To be attached at stringer of staircase UAS.



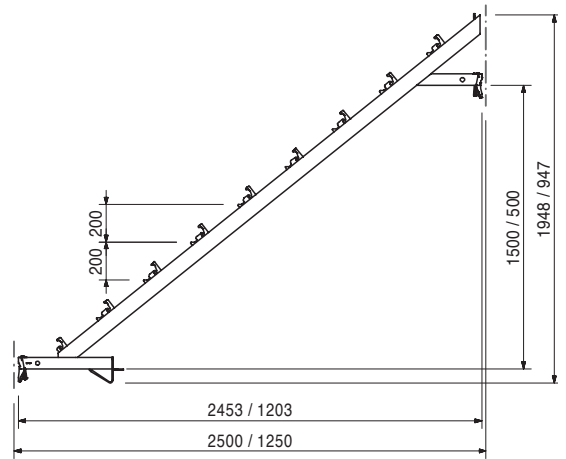
Item no.	Weight kg
111101	8,030
112809	11,200

Bottom Sheeting UPD, galv.
Bottom Sheeting UPD 75, galv.
Bottom Sheeting UPD 100, galv.



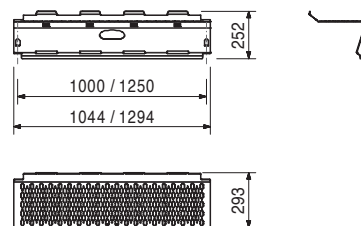
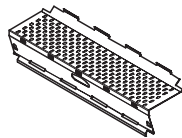
109219	15,300
114731	9,350

Stair Stringer UA, galv.
Stair Stringer UA 250/200, galv.
Stair Stringer UA 125/100, galv.



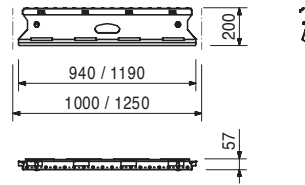
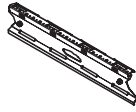
109198	7,390
114179	9,250

Stair Step UAR, galv.
Stair Step UAR 100, galv.
Stair Step UAR 125, galv.
 Stair step for the Stair Stringer UA. With a raised non-slip surface.



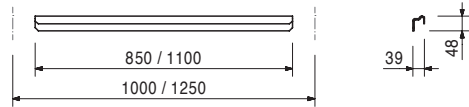
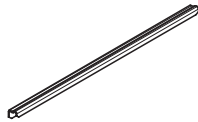
Item no.	Weight kg	
109208	5,610	End Step UAE, galv.
114180	6,590	End Step UAE 100, galv. End Step UAE 125, galv.

End step for the Stair Stringer UA. Locks all other steps.

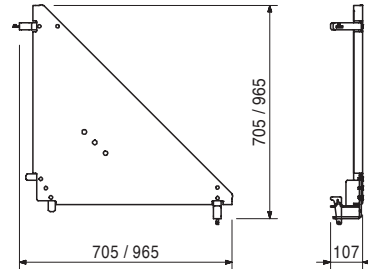


114349	0,770	Edge Profile UH, galv.
114621	0,997	Edge Profile UH 100, galv. Edge Profile UH 125, galv.

To be mounted on ledgers UH at stairs.



114148	4,890	Corner Plate UDC, galv.
113358	10,000	Corner Plate UDC 75, galv. Corner Plate UDC 100, galv.



113832	0,035	PERI UP Scaffold Tag
--------	-------	-----------------------------

Scaffold tag for restricted access.



Item no.	Weight kg	
113833	0,005	PERI UP Assembly certificate
113834	0,005	PERI UP Assembly certificate, D
113835	0,005	PERI UP Assembly certificate, EX
113836	0,005	PERI UP Assembly certificate, CDN
113837	0,005	PERI UP Assembly certificate, ES
113838	0,005	PERI UP Assembly certificate, PT
113839	0,005	PERI UP Assembly certificate, PL
113839	0,005	PERI UP Assembly certificate, CZ

Assembly certificate shows intended use.

Inspection Record
Inspection by qualified person only

Important
Any modifications made to the scaffold, e.g. removal of anchors, may only be carried out by the scaffolder.

Date	Time	Signature

Scaffold to no longer authorized for use:
Date: _____

Assembly Certificate
To be completed by the supervisor

Installation location _____
 Position _____
 Client _____
 Scaffold no. _____
 Date _____
 Signature _____

Working scaffold according to EN 12811, for Load Class _____

Width Class W _____
 W06 0,6 ≤ w < 0,9m
 W09 0,9 ≤ w < 1,2m
 W12 1,2 ≤ w < 1,5m

Handing-Over Certificate
To be completed by the inspecting person

Name _____
 Signature _____
 Date, Time _____
 Remarks _____



01 PERI GmbH
Rudolf-Diesel-Strasse
34-36 rue des Frères Lumière
89264 Weissenhorn
info@peri.de
www.peri.de



02 France
PERI S.A.S.
Zone Industrielle Nord
34-36 rue des Frères Lumière
77109 Meaux Cedex
peri.sas@peri.fr
www.peri.fr

03 Switzerland
PERI AG
Aspstraße 17
8472 Ohringen
info@peri.ch
www.peri.ch

04 Spain
PERI S.A. Sociedad
Unipersonal
Ctra. Paracuellos -
Fuente el Saz km. 18,9
Cno. de Malatones, km. 0,5
28110 Algete/Madrid
info@peri.es
www.peri.es

05 Belgium/Luxembourg
N.V. PERI S.A.
Industriepark
Nijverheidsstraat 6 PB 54
1840 Londerzeel
info@peri.be
www.peri.be

06 Netherlands
PERI B.V.
v. Leeuwenhoekweg 23
Postbus 304
5480 AH-Schijndel
info@peri.nl
www.peri.nl

07 USA
PERI Formwork Systems, Inc.
7135 Dorsey Run Road
Elkridge, MD 21075
info@peri-usa.com
www.peri-usa.com

08 Indonesia
PT Beton Perkasa Wijaksana
P.O. Box 3737
Jakarta 10210
bpw@betonperkasa.com
www.peri.de

09 Italy
PERI S.p.A.
Via G. Pascoli, 4
20060 Basiglio (MI)
info@peri.it
www.peri.it

10 Japan
PERI Japan K.K.
7F Hakozaki 314 Building,
31-4 Hakozaki-cho,
Nihonbashi Chuo-ku
Tokyo 103-0015
info@perijapan.jp
www.perijapan.jp

11 United Kingdom/Ireland
PERI Ltd.
Market Harborough Road
Clifton upon Dunsmore
Rugby, CV23 0AN
info@peri.ltd.uk
www.peri.ltd.uk

12 Turkey
PERI Kalip ve İskeleleri
San. ve Tic. Ltd. Sti.
Çakmaklı Mahallesi
Akçaburgaz Cad.
72. Sokak No: 23
Kıraç - Büyükköycece/İstanbul 34500
info@peri.com.tr
www.peri.com.tr

13 Hungary
PERI Kft.
Zádor u. 4.
1181 Budapest
info@peri.hu
www.peri.hu

14 Malaysia
PERI Formwork Malaysia
Sdn. Bhd.
Unit 19-07-4, Level 7
PNB Damansara
19 Lorong Dungun
Damansara Heights
50490 Kuala Lumpur
info@perimalaysia.com
www.perimalaysia.com

15 Singapore
PERI ASIA Pte. Ltd
Formwork Pte. Ltd.
No. 1 Sims Lane # 06-10
Singapore 387355
pha@periasia.com
www.periasia.com

16 Austria
PERI Ges.mbh
Traisenstraße 3
3134 Nußdorf ob der Traisen
office@peri.at
www.peri.at

17 Czech Republic
PERI spol. s r.o.
Průmyslová 392
252 42 Jesenice
info@peri.cz
www.peri.cz

18 Denmark
PERI Danmark A/S
forskalling og stillads
Greve Main 26
2670 Greve
peri@peri.dk
www.peri.dk

19 Finland
PERI Suomi Ltd. Oy
Hakakalliontie 5
05460 Hyvinkää
info@perisuomi.fi
www.perisuomi.fi

20 Norway
PERI NORGE AS
Dråpen 9
3036 Drammen
info@peri.no
www.peri.no

21 Poland
PERI Polska Sp. z o.o.
ul. Stoleczna 62
05-860 Plochocin
info@peri.pl.pl
www.peri.pl.pl

22 Sweden
PERIFORM SVERIGE AB
Montörgatan 4-6
Box 9073
30013 Halmstad
peri@periform.se
www.periform.se

23 Korea
PERI (Korea) Ltd.
8-9th Fl., Yuseong Bldg.
830-67, Yeoksam-dong,
Kangnam-ku,
Seoul 135-080
info@perikorea.com
www.perikorea.com

24 Portugal
PERIcofragens Lda.
Cofragens e Andaimes
Rua Cesário Verde,
nº 5 - 3º Esq.
Linda-a-Pastora
2790-326 Queijas
info@peri.pt
www.peri.pt

25 Argentina
PERI S.A.
Ruta Nacional N°. 9, km 47,5
(Panamericana Ramal Escobar)
(1625) Escobar/Prov. Bs. As.
info@peri.com.ar
www.peri.com.ar

26 Brazil
PERI Formas e
Escoramentos Ltda.
Rodovia Raposo Tavares,
km 41
Colinas Bandeirante
CEP 06730-000
Vargem Grande Paulista
São Paulo
info@peribrasil.com.br
www.peribrasil.com.br

27 Chile
PERI Chile Ltda.
C/José de San Martín N° 104
Parque Industrial Los
Libertadores
Colina, Santiago de Chile
perich@peri.cl
www.peri.cl

28 Romania
PERI România SRL
Calea Bucureşti nr. 2B
077015 Baloteşti - ILFOV
info@peri.ro
www.peri.ro

29 Slovenia
PERI SLOWENIEN
Goran Opalic
Obrežna 137
2000 Maribor
peri.slo@triera.net
www.peri.de

30 Slovakia
PERI spol. s r.o.
Šamorínska 18
903 01 Senec
info@peri.sk
www.peri.sk

31 Australia
PERI Australia Pty. Ltd.
116 Glendenning Road
Glendenning NSW 2761
info@periaus.com.au
www.periaus.com.au

32 Estonia
PERI AS
Valdmäe 8
Taanassilma Tehnпарк
76401 Saku vald
Harjumaa
peri@peri.ee
www.peri.ee



- 33 Greece**
PERI Hellas Ltd.
Sokratous Str.
5th kil. Koropi-Varis Ave.
P. O. Box 407
194 00 Koropi
info@perihellas.gr
www.perihellas.gr
- 34 Latvia**
PERI SIA
Granita 26
1057 Riga
info@peri-latvija.lv
www.peri-latvija.lv
- 35 United Arab Emirates**
PERI (L.L.C.)
Brashy Building,
Office No. 212
Shk. Zayed Road
P.O. Box 27933
Dubai
perillc@perime.com
www.perime.com
- 36 Canada**
PERI Formwork Systems, Inc.
45 Nixon Road
Bolton, Ontario
L7E 1K1
info@peri.ca
www.peri.ca
- 37 Libanon**
PERI GmbH
Lebanon Representative
Office
AYA Commercial Center,
7th floor,
Dora Highway,
Beirut
P.O. Box 90 416 Jdeidet
lebanon@peri.de
www.peri.de
- 38 Lithuania**
PERI UAB
Titnago st. 19
02300 Vilnius
info@peri.lt
www.peri.lt
- 39 Marocco**
PERI S.A.
Route de Rabat, km. 5
Piste de Beni Touzine
Tanger
peri25@menara.ma
www.peri.de
- 40 Israel**
PERI Formwork
Engineering Ltd
16 Moshe Dayan st.,
P.O. Box 10202
Petach Tikva,
49002 Israel
info@peri.co.il
www.peri.co.il
- 41 Bulgaria**
PERI BULGARIA EOOD
Kv. Vragdebna
m. Nova Machala Nr. 46
1839 – Sofia
peri.bulgaria@peri.bg
www.peri.bg
- 42 Iceland**
MEST Ltd.,
Fornubudum 5
220 Hafnarfjordur
mest@mest.is
www.mest.is
- 43 Kazakhstan**
TOO PERI Kazakhstan
Rubenstein Street 10
(Corner Dostyk Str. 7)
050010 Almaty
peri@peri.kz
www.peri.kz
- 44 Russian Federation**
OOO PERI
8 Etage, OOO PERI Buro
Krasnaya Presnya Str. 24
123022 Moskau
moscow@peri.ru
www.peri.ru
- 45 South Africa**
PERI Wiehahn (Pty.) Ltd.
P.O. Box 2668
Bellville 7535
ask@wiehahn.co.za
www.periwiehahn.co.za
- 46 Ukraine**
TOW PERI Ukraina
23, M. Raskowa Str., B. 822
02002 Kiev
peri@peri.ua
www.peri.ua
- 47 Egypt**
PERI GmbH
Egypt Branch Office
24 A, Obour Gardens,
4th Floor, apt. # 1
Salah Salem Street
11361 Heliopolis
Cairo
info@peri.com.eg
www.peri.com.eg
- 48 Serbia**
PERI Oplate d.o.o.
Jurija Gagarina 81
11070 Novi Beograd
office@peri.co.yu
www.peri.co.yu
- 49 Mexico**
PERI Cimbras y Andamios,
S.A. de C.V.
Parque de las Américas
KM 3.5 Carretera
Jorobas – Tula
Huehuetoca
Estado de México,
C.P. 54680
info@peri.com.mx
www.peri.com.mx
- 50 Azerbaijan**
PERI Kalıp ve İskeleleri
Baku Branch Office
28 May Küç. Ev 72 Menzil 27
Baku
peribaku@peri.com.tr
www.peri.com.tr
- 51 Turkmenistan**
PERI Kalıp ve İskeleleri
Aşgabat Branch Office
Görogly Sokak No. 130, Kat 2
744035 Aşgabat
periasgabat@peri.com.tr
www.peri.com.tr
- 52 Belorussia**
PERI Belarus
Pr. Nesawisimosti 11
Kopus-2 Zimmer: 526,528
220030 Minsk
peri@mail.belpak.by
www.peri.com.tr
- 53 Croatia**
PERI oplate i skele d.o.o.
Dolenica 20
10 250 Donji Stupnik/
Zagreb
info@peri.com.hr
www.peri.com.hr
- 54 Iran**
PERI GmbH
Iran Branch Office
Flat 27, Blvd. KAVE,
Building No. 246
P.O. Box 9 3979 3669
Tehran
iran@peri.ir
www.peri.ir
- 55 India**
PERI (India) Pvt Ltd
717 Palm Springs
Palm Court
Malad Link Road
Malad (West)
Mumbai – 400064
info@peri.in
www.peri.in
- 56 Jordan**
PERI Jordan
Saad 5 Center, 4th Floor
Office No. 404
Al Madineh
Al Munawara Street
P.O. Box 367
11947 Amman
jordan@peri.de
www.peri.de
- 57 Kuwait**
PERI Kuwait
Arraya Center, 29th Floor
Al-Shuhada Street, Sharq
P.O. Box 1060 Safat
13011 Kuwait
kuwait@peri.de
www.peri.de
- 58 Saudi Arabia**
PERI Saudi Arabia
33 ALBatraa Street
AL - Shurbatiyah Building
AL - Bughdadiyah AL -
Gharbiah Distrect
6th Floor, Flat # 61
P.O. Box 11641
Jeddah
saudi-arabia@peri.de
www.peri.de
- 59 Qatar**
PERI Qatar LLC
P.O. Box 24133
Doha
qatar@peri.de
www.peri.de
- 60 Algeria**
Société PERI S.A.S.
Bureau de liaison d'Alger
50 bis, Route de Gué
de Constantine
Hai El Badr (ex Apreval)
Immeuble FADLI
Kouba - Alger
peri.alger@peri.fr
www.peri.fr
- 61 Albania**
Autostrada TIRANE-DURRES
Km 2 Rr dytesore
ne krah te Vodafonit
Perballe ARDENOS FUSHE -
MEZES TIRANE
Tirane / ALBANIA
info@peri.com.tr
www.peri.com.tr

PERI Product Range



Wall Formwork

Panel Formwork
Girder Formwork
Circular Formwork
Facade Formwork
Brace Frame



Climbing Systems

Climbing Scaffold
Self-Climbing System
Climbing Protection Panel
Platform Systems



Column Formwork

Square
Rectangular
Circular



Scaffold, Stairways, Working Platforms

Facade Scaffold
Working Platform
Weather Protection Roof
Stairway Access



Slab Formwork

Panel Formwork
Beam Grid Formwork
Girder Formwork
Slab Table
Beam Formwork



Bridge and Tunnel Formwork

Cantilevered Parapet Carriage
Cantilevered Parapet Platform
Engineer's Construction Kit



Shoring Systems

Steel Slab Props
Aluminium Slab Props
Tower Systems
Heavy-Duty Props



Services

Formwork Assembly
Cleaning / Repairs
Formwork Planning
Software
Statics
Special Constructions

Additional Systems

Plywood
Formwork Girders
StoPend Systems
Pallets
Transportation Containers



PERI GmbH

Formwork Scaffolding Engineering

P.O. Box 1264
89259 Weissenhorn
Germany
Tel +49 (0)73 09.9 50-0
Fax +49 (0)73 09.9 51-0
info@peri.de
www.peri.de